

Modern Motorized Height Adjustable TV Cart

For 55"-100" Displays

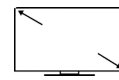
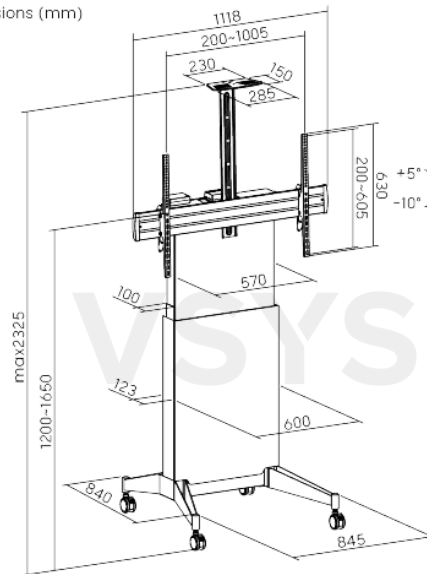


Dimensions (mm)

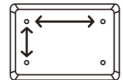


White & Black

Matte Black



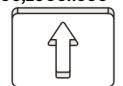
Screen Size
55" - 100"



VESA Compatible
400x600,600x400,700x400,
400x800,800x400,700x500,
600x600,800x500,800x600,
900x600,1000x600



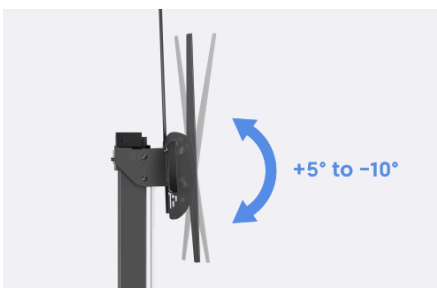
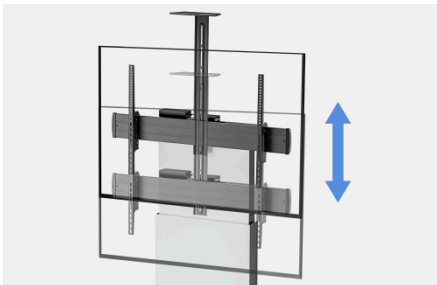
120kg
(264lbs)



Direction Indicator



Cable
Management



Product Category:	TV Cart
Rank:	Premium
Material:	Steel,Plastic,Particle Board & Melamine
Metal Sheet Thickness:	VESA Panel THK=2mm cold-rolled sheet,Bracket Arm THK=2mm cold-rolled sheet (VESA Panel THK=0.079" cold-rolled sheet,Bracket Arm THK=0.079" cold-rolled sheet)
Surface Finish:	Powder Coating
Color:	Matte Black & White,Matte White & White,Matte Black & Black
Dimensions:	1118x845x1520-2325mm (44"x33.3"x59.8"-91.5")
Column Size(Main Column/Extension Column):	80x50x1.5mm;75x45x1.5mm (3.1"x2"x0.059";3"x1.8"x0.059")

Screen Quantity:	1
Tilt Range:	+5°~-10°
TV Height Adjustable:	Yes
Height Range:	1200~1650mm (47.2"-65")
Camera Rack Weight Capacity:	5kg (11lbs)
Cable Management:	No
Base Type:	Caster
10 Degree Slope Testing:	Yes