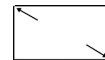
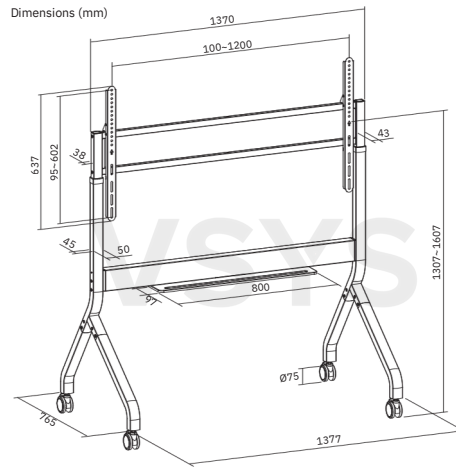


**Sleek & Stylish Motorized TV Floor Stand**  
For 60"-110" Displays



Screen Size  
60" - 110"



3 kg/6.6lb



120 kg/154lb



VESA Compatible  
100x100,200x100,200x200,400  
x200,300x300,400x300,600x20  
0,400x400,600x300,600x400,8  
00x400,600x600,800x600,900  
x600,1000x600,1200x600



Height Adjustable  
1307-1607mm  
(51.5"-63.3")



RF Controller  
Remote  
To control Height  
Adjustments via RF Remote



Effortless TV  
Height Adjustment  
1307-1607mm (51.5"-63.3")

Storage Shelf  
provides more storage  
space for accessories

Heavy-Duty Lockable Casters  
ensures smooth mobility and secure positioning

**2 Memory Controls**  
For Pre-determined Height adjustments

Product Category:	TV Cart
Rank:	Standard
Material:	Steel, Plastic
Metal Sheet Thickness:	Bracket Arm THK=2mm cold-rolled sheet (Bracket Arm THK=0.079" cold-rolled sheet)
Surface Finish:	Powder Coating
Color:	Gunmetal Grey
Dimensions:	1377x801x1626-1926mm (54.2"x31.5"x64"-75.8")
Column Size(Main Column/Extension Column):	50x45x1.5mm/43x38x1.5mm (2"x1.8"x0.059"/1.7"x1.5"x0.059")
Fit Screen Size:	60"-110"
VESA Compatible:	100x100,200x100,200x200,400x200,300x300,400x300,600x200x200,400x400,600x300,600x400,800x400,600x600,800x600,900x800,1000x600,1200x600
TV Weight Capacity:	120kg (264lbs)
Strength Tested:	3 Times Approved
Screen Quantity:	1