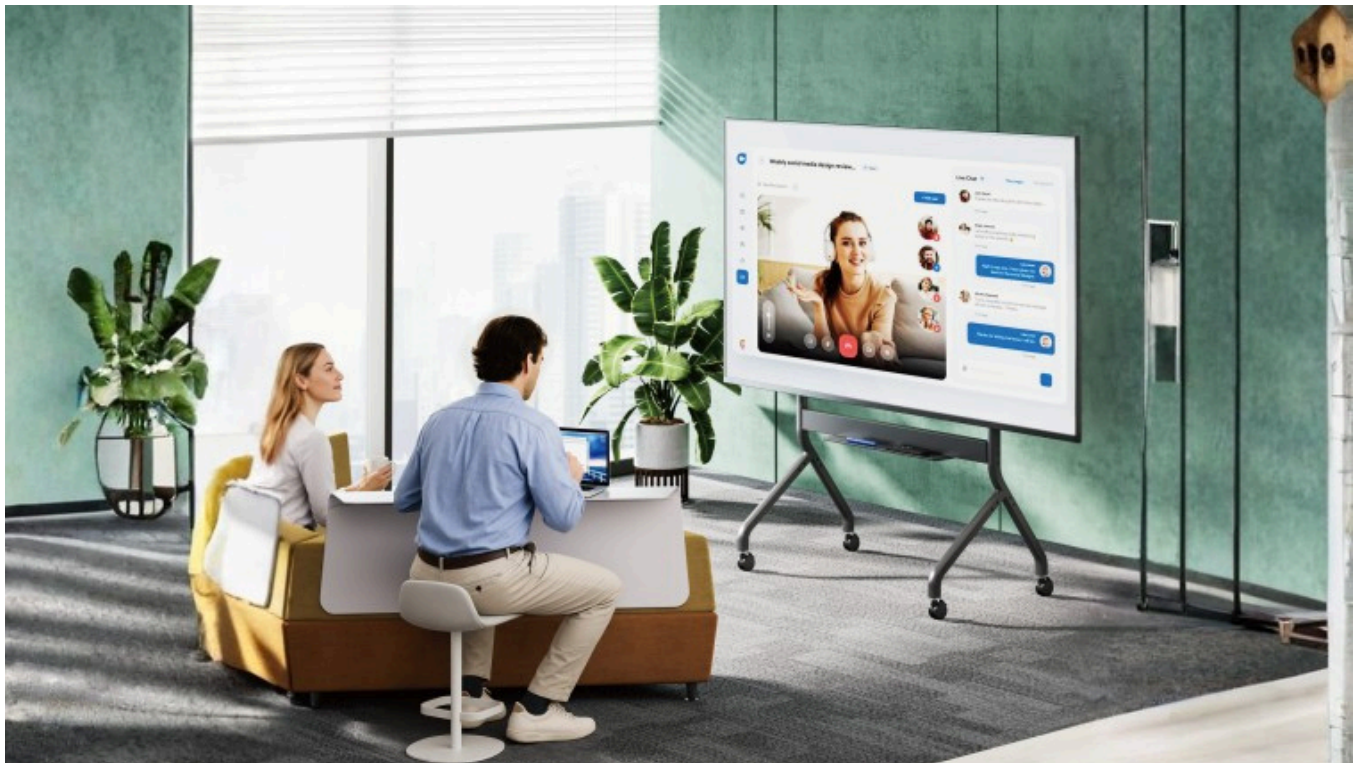
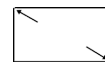
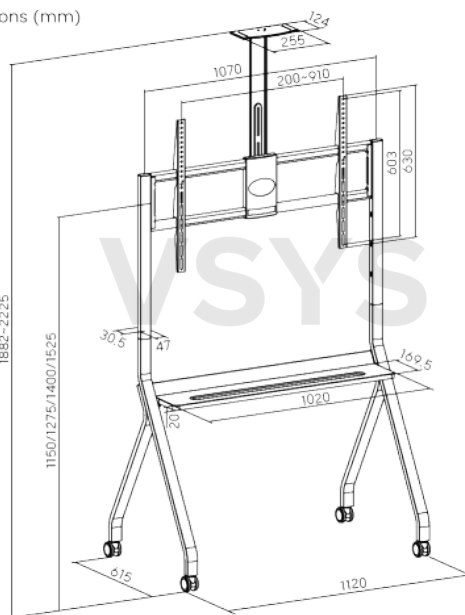


Sleek & Stylish Motorized TV Floor Stand For 55"-100" Displays



Dimensions (mm)



Screen Size
55" - 100"



10kg (22lbs)



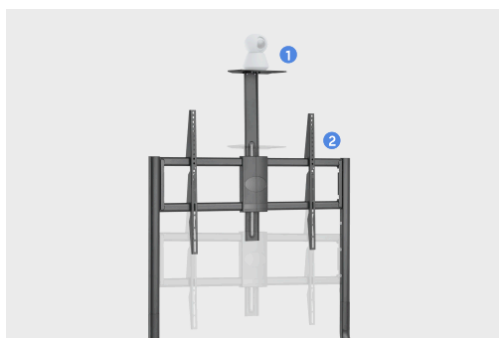
120 kg/264lb



VESA Compatible
200x200,300x200,400x200,300
x300,400x300,600x200,400x400,
600x300,600x400,800x400,600x600,800x600,900x600



Height Adjustable
1150mm/1275mm/1400mm/1525mm



- 1 Height Adjustable Camera Shelf
for easy access to equipment
- 2 Height Adjustments
for an optimal viewing position



- 1 Storage Shelf
provides more storage space for accessories
- 2 4 Lockable Casters
ensure mobility and stability

Product Category:	TV Cart
Rank:	Standard
Material:	Steel, Plastic
Surface Finish:	Powder Coating
Color:	Fine Texture Black, Matte White, Matte Grey
Dimensions:	1120x711x2220mm (44.1"x28"x87.4")

Strength Tested:	3 times approved
TV Height Adjustable:	Yes
Height Range:	1150mm/1275mm/1400mm/1525mm (45.3"/50.2"/55.1"/60")
Shelf Weight Capacity:	10kg (22lbs)
Camera Rack Weight Capacity:	5kg (11lbs)
Cable Management:	Yes

COLOR (Matte Grey)