

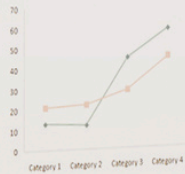


Market Trends

"The best and most beautiful things in the world cannot be seen or even touched. They must be felt with the heart."

Deep Learning

Please enter a description of your content here. This text can be replaced with your own text.

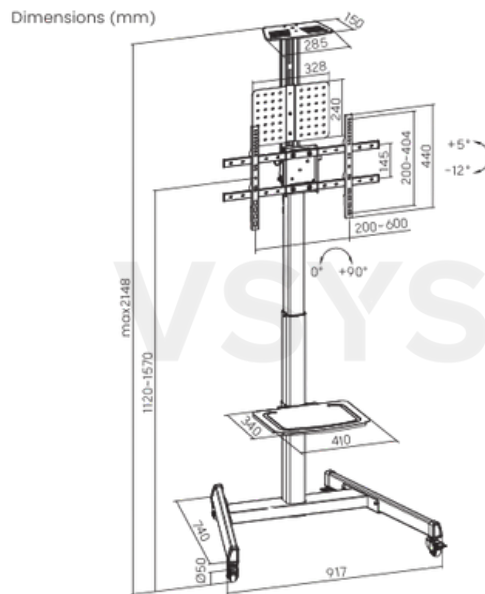
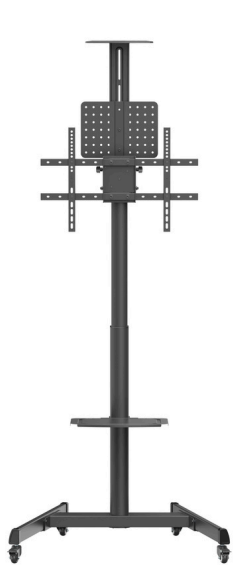


Presentation 123456789 13

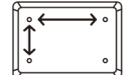
VSYS

E-Catalogue

TV Cart with Crank Handle For 37"-70" Displays



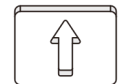
Screen Size
37" - 70"



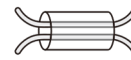
VESA Compatible
200X200 400X200
300X300 400X300
400X400 600X400



70 kg/154lb



Direction Indicator



Cable Management



Crank Handle

For smooth & effortless Height Adjustment



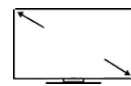
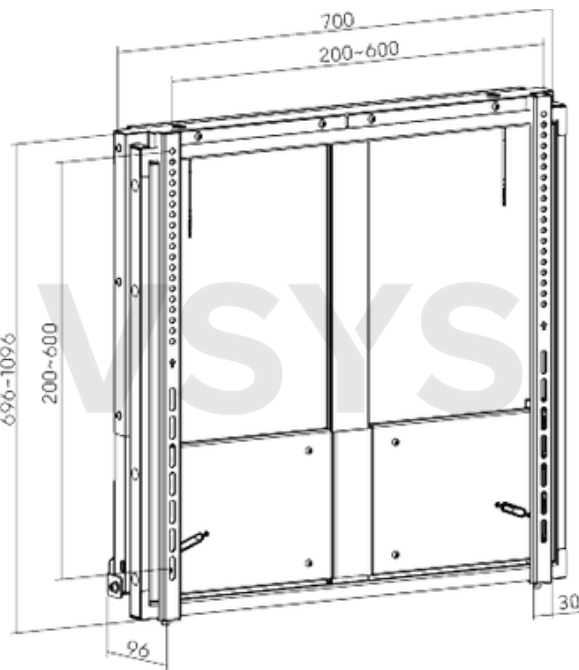
Product Category:	Crank Adjustable TV Cart
Rank:	Standard
Material:	Steel, Plastic
Surface Finish:	Powder Coating
Color:	Matte Black
Dimensions:	917x740x2148mm (36.1"x29.1"x84.6")
Column Size (Main Column/Extension Column):	80x80.7x1.5x850mm, 70x70.7x1.5x940mm (3.1"x3.2"x0.059"x33.5", 2.8"x2.8"x0.059"x37")
Fit Screen Size:	37"-70"
VESA Compatible:	200x200, 400x200, 300x300, 400x300, 400x400, 600x400
TV Weight Capacity:	70kg (154lbs)
Strength Tested:	4 Times Approved
Tilt Range:	+5° - -12°

VS HW400 - 65

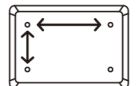
Manual Height-Adjustable Wall Mount

For 55-75" Displays

VSYS



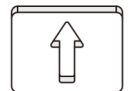
Screen Size
55" - 75"



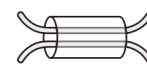
VESA Compatible
Max. 600X600



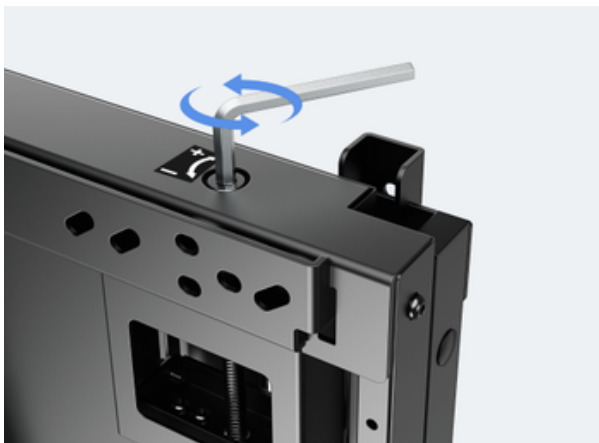
60-90kg
(132-198lbs)



Direction Indicator



Cable
Management



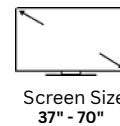
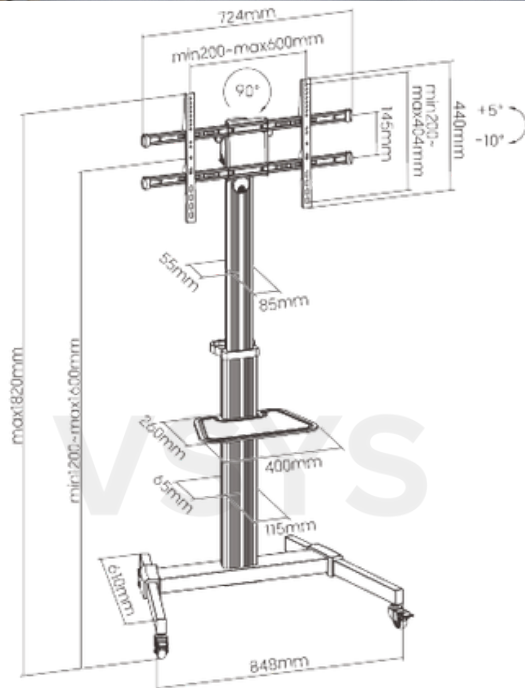
Weight Balance Design
easily accommodates the different
weights of displays



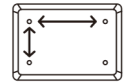
Easy to Install
For a better user experience

Aluminum TV Cart

For 37"-70" Displays



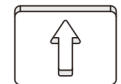
Screen Size
37" - 70"



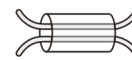
VESA Compatible
200X200 400X200
300X300 400X300
400X400 600X400



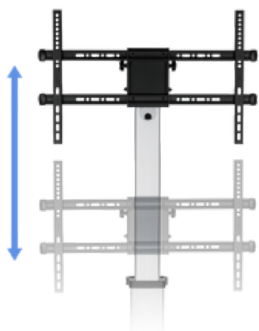
50kg
(110lbs)



Direction Indicator

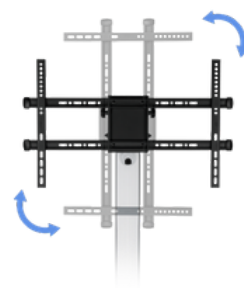


Cable Management



Height Adjustment

For smooth & effortless Height Adjustment



Portrait or Landscape Orientation

For Better viewing angle

Product Category:	TV Cart
Rank:	Standard
Material:	Aluminum,Steel,Plastic
Surface Finish:	Powder Coating
Color:	Fine Texture Grey & Matte Black,Fine Texture Grey & Matte White
Dimensions:	848x610x1420-1820mm (33.4"x24"x55.9"-71.7")
Column Size(Main Column/Extension Column):	Top Column 85x55x1.5x778, Bottom Column 115x65x1.5x778 (Top Column 85x55x1.5x778, Bottom Column 115x65x1.5x778)
Screen Quantity:	1
Tilt Range:	+5°~-10°
Screen Rotation:	0°~+90°
TV Height Adjustable:	Yes
Height Range:	1200~1600mm (47.2"-63")
Shelf Weight Capacity:	5kg (11lbs)

Aluminum TV Cart For 60"-100" Displays



Dimensions (mm)

Dimensions (mm):

- Screen Mount: 285 (width), 150 (depth)
- Screen Mount to Shelf: 200-1000 (height)
- Screen Mount to Column: 200-604 (height)
- Screen Mount to Shelf: 150 (height)
- Screen Mount to Column: 1055 (width)
- Screen Mount to Column: 630 (width)
- Screen Mount to Column: +5°/-10° (tilt)
- Screen Mount to Column: 55 (height)
- Screen Mount to Column: 85 (height)
- Shelf: 430 (width), 335 (depth)
- Column: 55 (width), 115 (width)
- Cart: 1200-1600 (height), 1292 (width), 17 (height), 950 (width)

Features:

- Screen Size: 60" - 100"
- VESA Compatible: 400X600, 600X400, 800X400, 800X600, 1000X600
- Weight Capacity: 100kg (220lbs)
- Direction Indicator
- Cable Management

Product Category: TV Cart

Rank:	Standard
Material:	Aluminum, Steel, Plastic
Surface Finish:	Powder Coating
Color:	Fine Texture Grey & Matte Black
Dimensions:	1292x717x2327mm (50.9"x28.2"x91.6")
Column Size(Main Column/Extension Column):	Top Column 85x55x1.5x778, Bottom Column 115x65x1.5x778 (Top Column 85x55x1.5x778, Bottom Column 115x65x1.5x778)

Screen Quantity: 1

Tilt Range:	+5°~-10°
TV Height Adjustable:	Yes
Height Range:	1200~1600mm (47.2"~63")
Shelf Weight Capacity:	5kg (11lbs)
Shelf Height Adjustable:	Yes
Camera Rack Weight Capacity:	5kg (11lbs)

Toolless Tilting +5° to -10°

Height Adjustment 1200 to 1600mm (47.2" to 63")

Aluminum Column lightweight & durable

Height Adjustable Shelf holds AV equipment and small items

4 Locking Casters smooth movement & lock in place

VTLX17-610TW

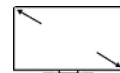
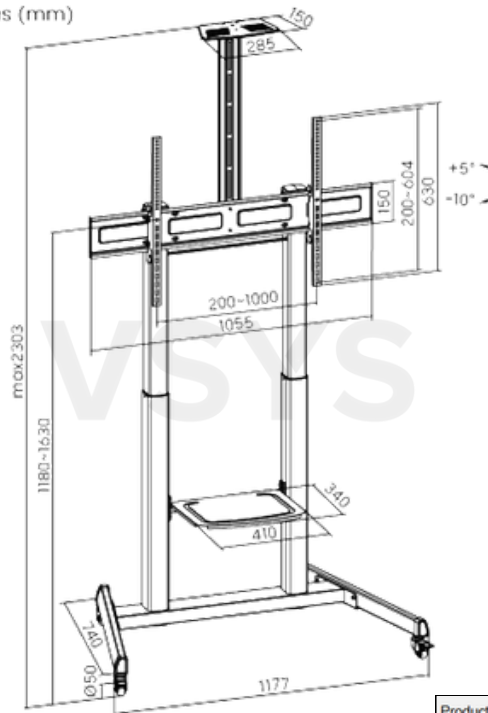
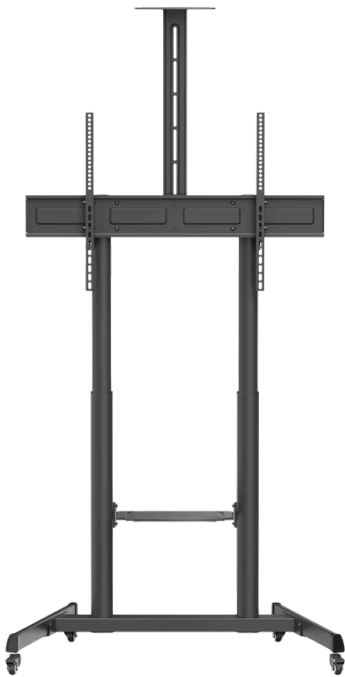
Steel TV Cart

For 60"-100" Displays

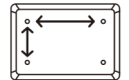
VSYS



Dimensions (mm)



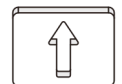
Screen Size
60" - 100"



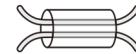
VESA Compatible
400X600 600X400
800X400 800X600
1000X600



120kg
(264lbs)



Direction Indicator



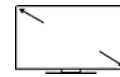
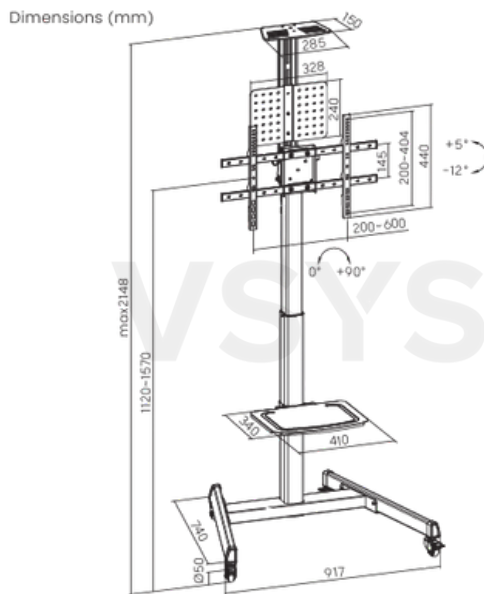
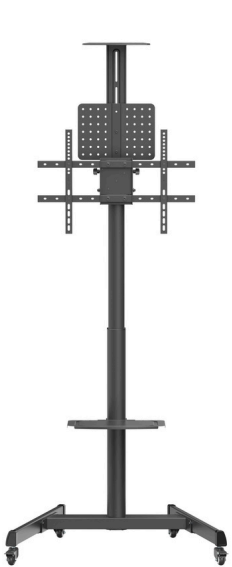
Cable
Management



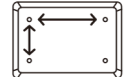
Product Category:	TV Cart
Rank:	Standard
Material:	Steel, Plastic
Surface Finish:	Powder Coating
Color:	Matte Black
Dimensions:	1177x740x2303mm (46.3"x29.1"x90.7")
Column Size (Main Column/Extension Column):	80x80 7x1.5x850mm, 70x70 7x1.5x940mm (3.1"x3.2"x0.059"x33.5" 2.8"x2.8"x0.059"x37")

Tilt Range:	+5° ~ -10°
TV Height Adjustable:	Yes
Height Range:	450mm (17.7")
Shelf Weight Capacity:	5kg (11lbs)
Shelf Height Adjustable:	Yes
Camera Rack Weight Capacity:	5kg (11lbs)

Telescope Height-Adjustable Steel TV Cart
For 37"-70" Displays



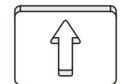
Screen Size
37" - 70"



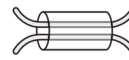
VESA Compatible
200X200 400X200
300X300 400X300
400X400 600X400



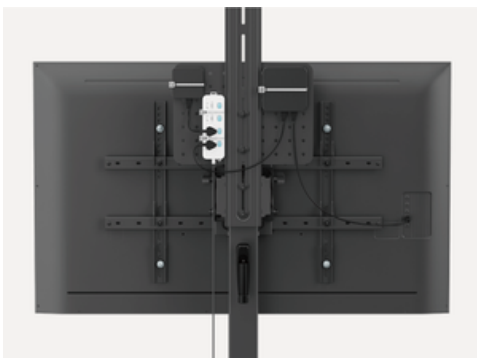
70 kg/154lb



Direction Indicator



Cable Management



Pegboard Storage Panel

Organises TV Boxes, cables & accssories



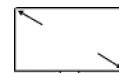
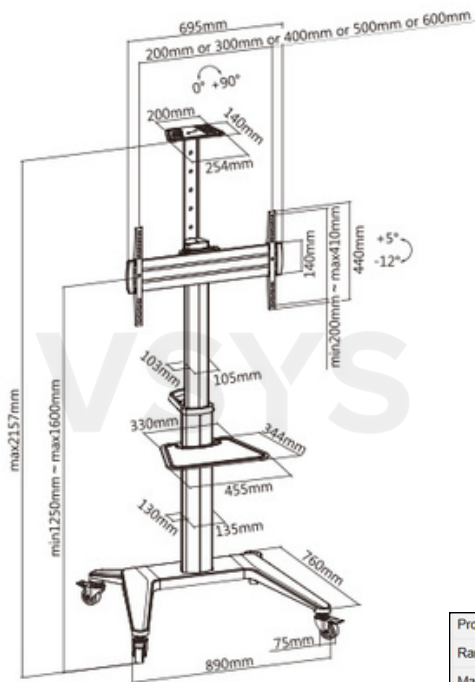
Camera Shelf
provides flexible and secure camera positioning for optimal video quality

Height Adjustable Equipment Shelf
provides more storage space for DVDs or other accessories

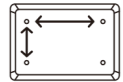
Product Category:	TV Cart
Rank:	Standard
Material:	Steel, Plastic
Surface Finish:	Powder Coating
Color:	Matte Black
Dimensions:	917x740x2148mm (36.1"x29.1"x84.6")
Column Size(Main Column/Extension Column):	80x80.7x1.5x850mm, 70x70.7x1.5x940mm (3.1"x3.2"x0.059"x33.5", 2.8"x2.8"x0.059"x37")

Screen Rotation:	0°~+90°
TV Height Adjustable:	Yes
Height Range:	450mm (17.7")
Shelf Weight Capacity:	5kg (11lbs)
Shelf Height Adjustable:	Yes
Camera Rack Weight Capacity:	5kg (11lbs)
Cable Management:	Yes

Ultra-Modern Aluminum TV Cart
For 37"-70" Displays



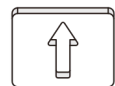
Screen Size
37" - 70"



VESA Compatible
200X200 400X200
300X300 400X300
400X400 600X400



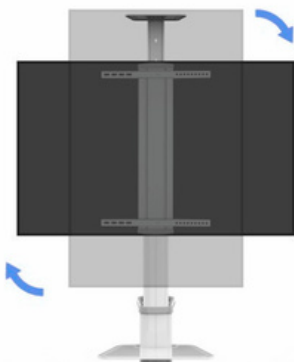
70 kg/154lb



Direction Indicator



Cable Management



Landscape or Portrait Orientation
Ideal for TV viewing



Product Category:	TV Cart
Rank:	Premium
Material:	Aluminum, Steel, Plastic
Metal Sheet Thickness:	VESA Panel THK=2mm cold-rolled sheet, Bracket Arm THK=2mm cold-rolled sheet (VESA Panel THK=0.079" cold-rolled sheet, Bracket Arm THK=0.079" cold-rolled sheet)
Surface Finish:	Powder Coating
Color:	Matte Black, Gloss White
Color (Accessory):	Matte Black, Gloss White
Dimensions:	890x760x2157mm (35"x29.9"x84.9")
Column Size (Main Column/Extension Column):	135x130x1 6x725mm/ 105x103x1 6x725mm (5.3"x5.1"x 0.063"xb28.5"/ 4.1"x4.1"x0.063"xb28.5")

Screen Quantity:	1
Tilt Range:	+5°~-12°
Screen Rotation:	0°~+90°
TV Height Adjustable:	Yes
Height Range:	1250mm~1600mm (49.2"~63")
Shelf Weight Capacity:	5kg (11lbs)
Shelf Height Adjustable:	Yes
Camera Rack Weight Capacity:	5kg (11lbs)
Cable Management:	Yes

Modern Motorized Height Adjustable TV Cart

For 55"-100" Displays

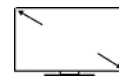
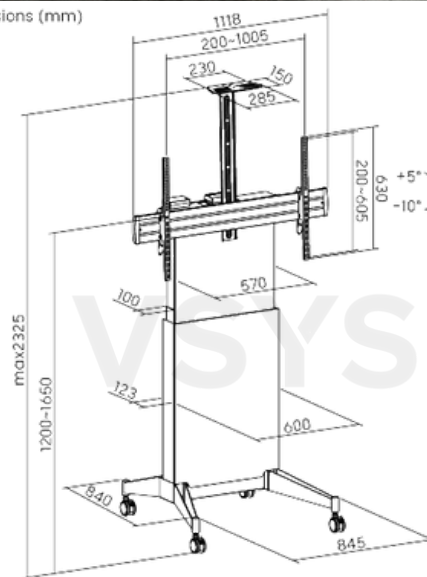


Dimensions (mm)

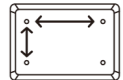


White & Black

Matte Black



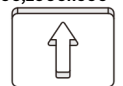
Screen Size
55" - 100"



VESA Compatible
400x600,600x400,700x400,
400x800,800x400,700x500,
600x600,800x500,800x600,
900x600,1000x600



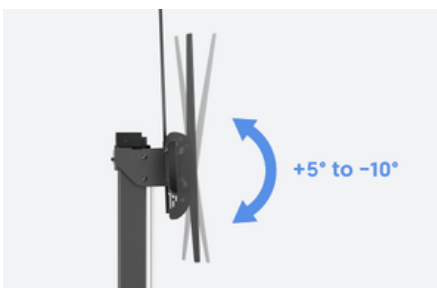
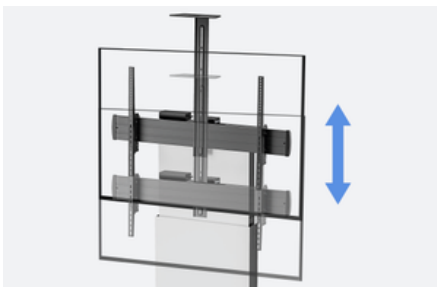
120kg
(264lbs)



Direction Indicator



Cable
Management



Product Category:	TV Cart
Rank:	Premium
Material:	Steel,Plastic,Particle Board & Melamine
Metal Sheet Thickness:	VESA Panel THK=2mm cold-rolled sheet,Bracket Arm THK=2mm cold-rolled sheet (VESA Panel THK=0.079" cold-rolled sheet,Bracket Arm THK=0.079" cold-rolled sheet)
Surface Finish:	Powder Coating
Color:	Matte Black & White,Matte White & White,Matte Black & Black
Dimensions:	1118x845x1520-2325mm (44"x33.3"x59.8"-91.5")
Column Size(Main Column/Extension Column):	80x50x1.5mm;75x45x1.5mm (3.1"x2"x0.059";3"x1.8"x0.059")

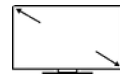
Screen Quantity:	1
Tilt Range:	+5°~-10°
TV Height Adjustable:	Yes
Height Range:	1200~1650mm (47.2"-65")
Camera Rack Weight Capacity:	5kg (11lbs)
Cable Management:	No
Base Type:	Caster
10 Degree Slope Testing:	Yes

VTLX12-610TW

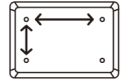
Ultra-Modern Aluminum TV Carts

For 70"-120" Displays

VSYS



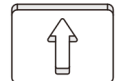
Screen Size
70" - 120"



VESA Compatible
200x200,300x200,400x200,300x300,
400x300,400x400,600x400,800x400
,800x600,1000x600



140kg
(308lbs)

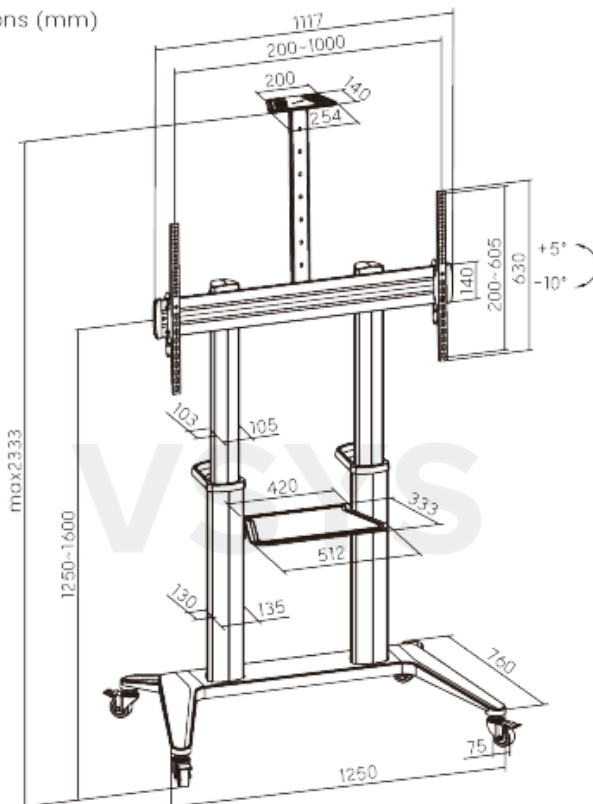


Direction Indicator



Cable
Management

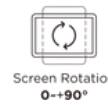
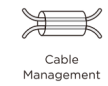
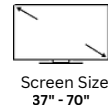
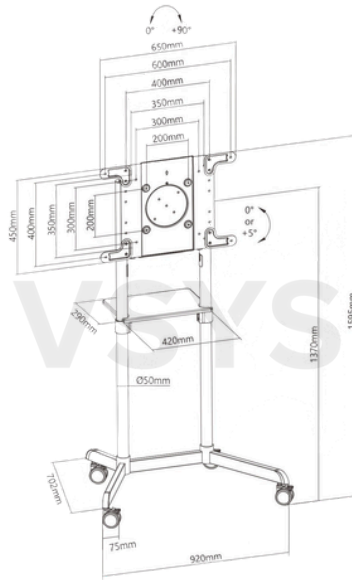
Dimensions (mm)



Product Category:	TV Cart
Rank:	Premium
Material:	Aluminum, Steel, Plastic
Metal Sheet Thickness:	VESA Panel THK=2mm cold-rolled sheet, Bracket Arm THK=2mm cold-rolled sheet (VESA Panel THK=0.079" cold-rolled sheet, Bracket Arm THK=0.079" cold-rolled sheet)
Surface Finish:	Powder Coating
Color:	Matte Black, Gloss White
Color (Accessory):	Matte Black, Gloss White
Dimensions:	1250x760x2333mm (49.2"x29.9"x91.9")
Column Size(Main Column/Extension Column):	135x130x1.6x725mm /105x103x1.6x725mm (5.3"x5.1"x0.063"b28.5" /4.1"x4.1"x0.063"b28.5")

Strength Tested:	3 times approved
Screen Quantity:	1
Tilt Range:	+5°~-10°
TV Height Adjustable:	Yes
Height Range:	1250-1600mm (49.2"-63")
Shelf Weight Capacity:	5kg (11lbs)
Shelf Height Adjustable:	Yes
Camera Rack Weight Capacity:	5kg (11lbs)
Cable Management:	Yes

Rotating Interactive Display Stand
For 37"-70" Displays



Product Category:	Interactive Whiteboard Cart/Mobile Interactive Whiteboard Stand
Rank:	Standard
Material:	Steel, Plastic, MDF & Melamine
Metal Sheet Thickness:	VESA Panel THK=2mm cold-rolled sheet (VESA Panel THK=0.079" cold-rolled sheet)

Column Size (main Column/Extension Column):	ø50x1.5x1389mm (ø2"x0.059"x54.7")
Fit Screen Size:	37"-70"
VESA Compatible:	200x200, 400x200, 300x300, 600x200, 350x350, 400x400, 600x400
TV Weight Capacity:	70kn (154lbs)

Strength Tested:	4 times approved
Screen Quantity:	1
Tilt Range:	0° or 5°
Screen Rotation:	0°-+90°
TV Height Adjustable:	No
Shelf Weight Capacity:	5kg (11lbs)
Cable Management:	Yes
Base Type:	Caster
Accessory Kit Package:	Normal/Ziplock Polybag, Compartment Polybag
Direction Indicator:	Yes



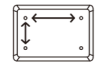
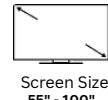
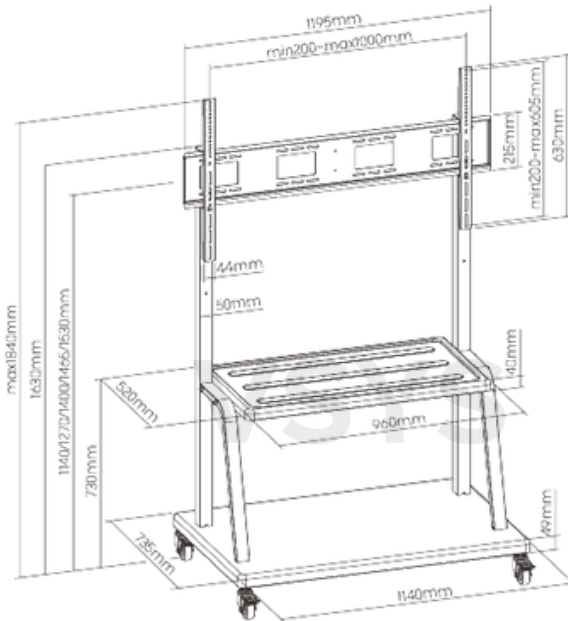
Cable Management

For Clutter Free & Organized Cables/wires

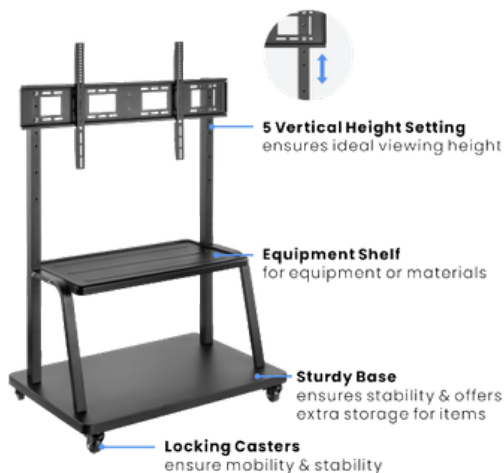


MDF Equipment Shelf

Extra Heavy Duty Steel Cart with Storage For 55"-100" Displays



VESA Compatible
200x200,300x200,400x200,300x300,
400x300,400x400,600x400,800x400
,800x600,900x600,1000x600



5 Vertical Height Setting
ensures ideal viewing height

Equipment Shelf
for equipment or materials

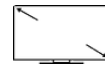
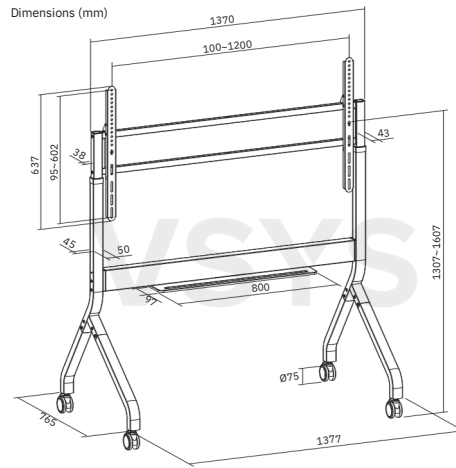
Sturdy Base
ensures stability & offers extra storage for items

Locking Casters
ensure mobility & stability

Product Category:	TV Cart
Rank:	Economy
Material:	Steel
Surface Finish:	Powder Coating
Color:	Fine Texture Black
Dimensions:	1140x735x1840mm (44.9"x28.9"x72.4")
Column Size(Main Column/Extension Column):	50x50X1.2x1465mm (2"x2"X0.047"x57.7")

TV Weight Capacity:	150kg (330lbs)
Screen Quantity:	1
TV Height Adjustable:	Yes
Height Range:	1140/1270/1400/1465/1530mm (44.9"/50"/55.1"/57.7"/60.2")
Shelf Weight Capacity:	20kg (44lbs)
Shelf Height Adjustable:	No
Cable Management:	No

Sleek & Stylish Motorized TV Floor Stand
For 60"-110" Displays



Screen Size
60" - 110"



DVD/AV
RATED
3 kg/6.6lb



120 kg/154lb



VESA Compatible
100x100,200x100,200x200,400
x200,300x300,400x300,600x20
0,400x400,600x300,600x400,8
00x400,600x600,800x600,900
x600,1000x600, 1200x600



Height Adjustable
1307-1607mm
(51.5"-63.3")



RF Controller
Remote
To control Height
Adjustments via RF Remote



Effortless TV
Height Adjustment
1307-1607mm (51.5"-63.3")

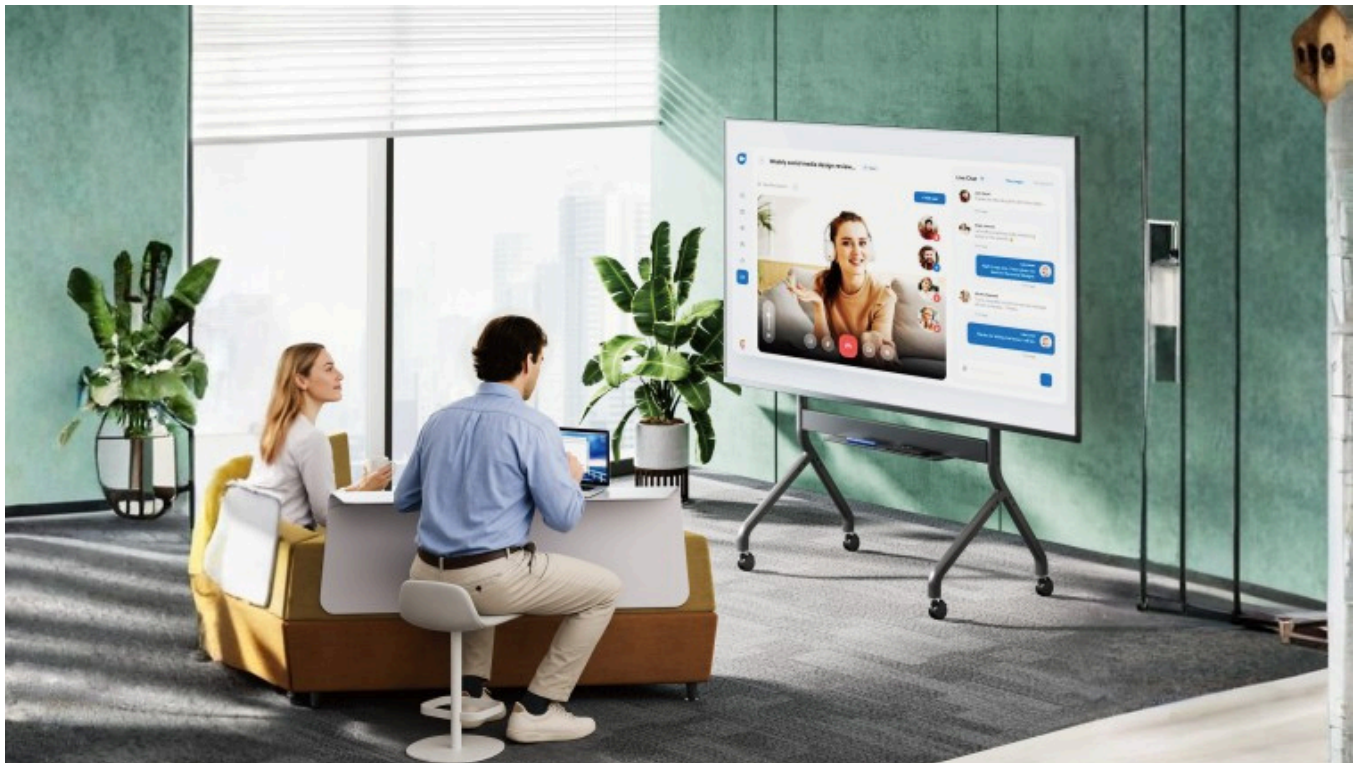
Storage Shelf
provides more storage
space for accessories

Heavy-Duty Lockable Casters
ensures smooth mobility and secure positioning

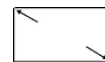
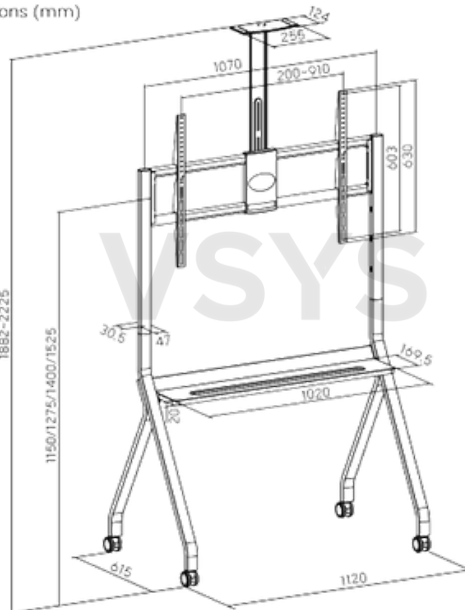
2 Memory Controls
For Pre-determined Height adjustments

Product Category:	TV Cart
Rank:	Standard
Material:	Steel, Plastic
Metal Sheet Thickness:	Bracket Arm THK=2mm cold-rolled sheet (Bracket Arm THK=0.079" cold-rolled sheet)
Surface Finish:	Powder Coating
Color:	Gunmetal Grey
Dimensions:	1377x801x1626-1926mm (54.2"x31.5"x64"-75.8")
Column Size(Main Column/Extension Column):	50x45x1.5mm/43x38x1.5mm (2"x1.8"x0.059"/1.7"x1.5"x0.059")
Fit Screen Size:	60"-110"
VESA Compatible:	100x100,200x100,200x200,400x200,300x300,400x300,600x200,400x400,600x300,600x400,800x400,600x600,800x600,900x600,1000x600,1200x600
TV Weight Capacity:	120kg (264lbs)
Strength Tested:	3 Times Approved
Screen Quantity:	1

Sleek & Stylish TV Floor Stand For 55"-100" Displays



Dimensions (mm)



Screen Size
55" - 100"



10kg (22lbs)



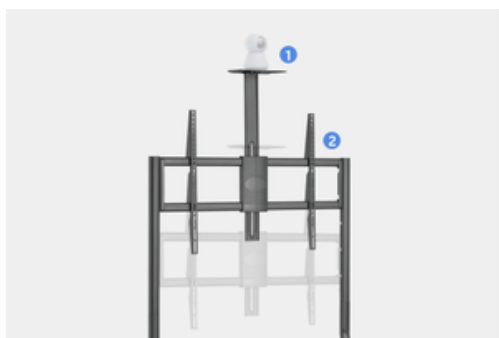
120 kg/264lb



VESA Compatible
200x200,300x200,400x200,300
x300,400x300,600x200,400x40
0,600x300,600x400,800x400,6
00x600,800x600,900x600



Height Adjustable
1150mm/1275mm/1400mm/1525mm



- 1 Height Adjustable Camera Shelf
for easy access to equipment
- 2 Height Adjustments
for an optimal viewing position



- 1 Storage Shelf
provides more storage space for accessories
- 2 4 Lockable Casters
ensure mobility and stability

Product Category:	TV Cart
Rank:	Standard
Material:	Steel, Plastic
Surface Finish:	Powder Coating
Color:	Fine Texture Black, Matte White, Matte Grey
Dimensions:	1120x711x2220mm (44.1"x28"x87.4")

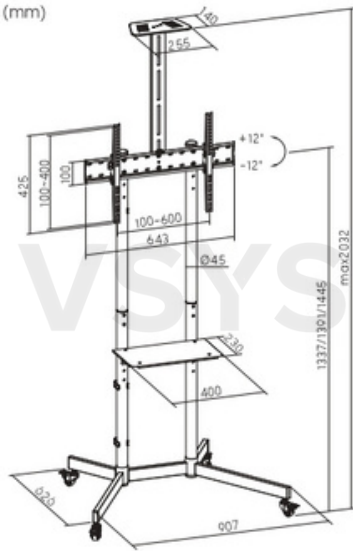
Strength Tested:	3 times approved
TV Height Adjustable:	Yes
Height Range:	1150mm/1275mm/1400mm/1525mm (45.3"/50.2"/55.1"/60")
Shelf Weight Capacity:	10kg (22lbs)
Camera Rack Weight Capacity:	5kg (11lbs)
Cable Management:	Yes

COLOR  (Matte Grey)

Cost Effective TV Floor Stand
For 37"-70" Displays



Dimensions (mm)



Screen Size
37" - 70"



5 kg/11lb



45 kg/99lb



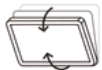
VESA Compatible
100x100,200x200,300x200,
400x200,300x300,400x300,
400x400,600x400



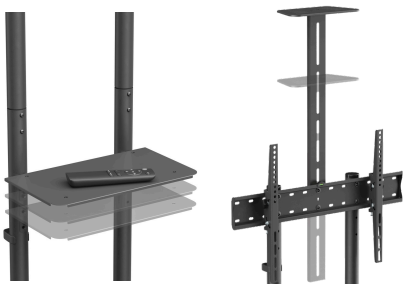
3 level Height
Adjustable
1137mm/1391mm
/1445mm



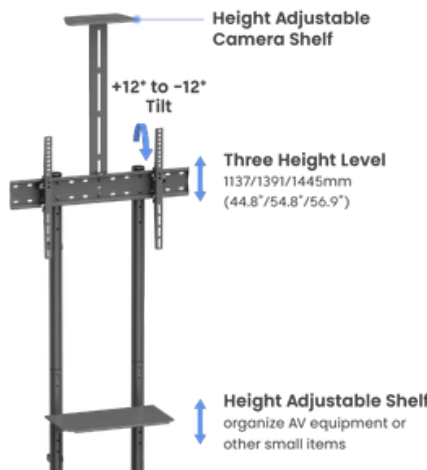
Cable
Management



Tilt Range
+12 to -12 degree
tilt



Height Adjustable
Equipment Shelf & Camera Shelf

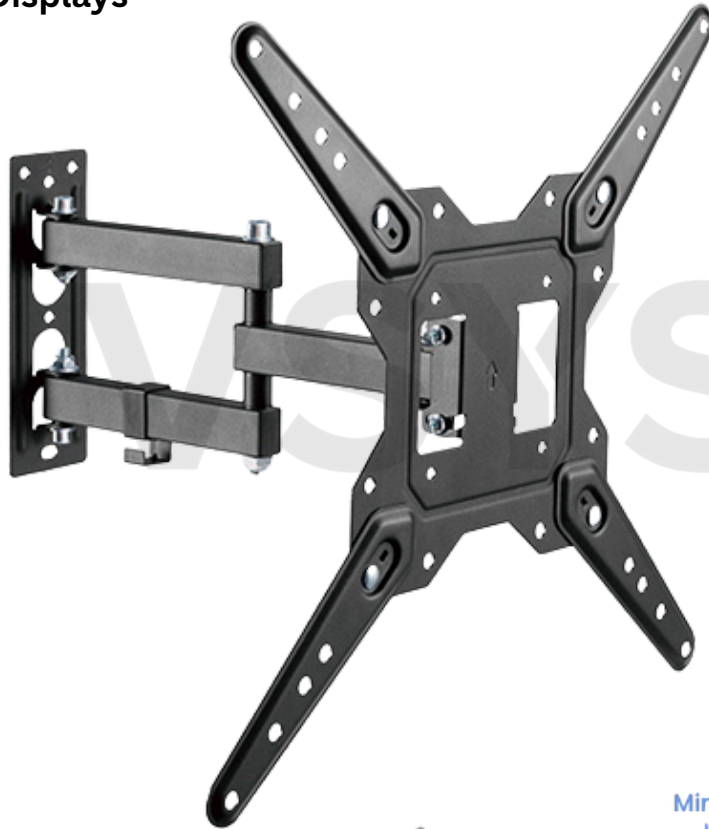


Product Category:	TV Cart
Rank:	Economy
Material:	Steel, Plastic
Metal Sheet Thickness:	VESA Panel THK=1.5mm cold-rolled sheet, Bracket Arm THK=1.5mm cold-rolled sheet (VESA Panel THK=0.059" cold-rolled sheet, Bracket Arm THK=0.059" cold-rolled sheet)
Surface Finish:	Powder Coating
Color:	Fine Texture Black
Dimensions:	907x626x2032mm (35.7"x24.6"x80")
Column Size(Main Column/Extension Column):	45x1.0x745, 45x1.0x745
Fit Screen Size:	37"-70"
VESA Compatible:	100x100,200x200,300x200,400x200,300x300,400x300,400x400,600x400
TV Weight Capacity:	45kg (99lbs)
Strength Tested:	4 Times Approved

VS02E-443

VSYS

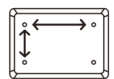
Economy Full-Motion Wall Mount
For 23"-55" Displays



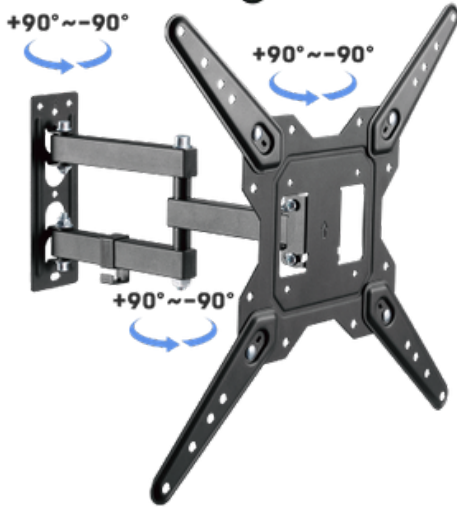
Screen Size
23" - 55"



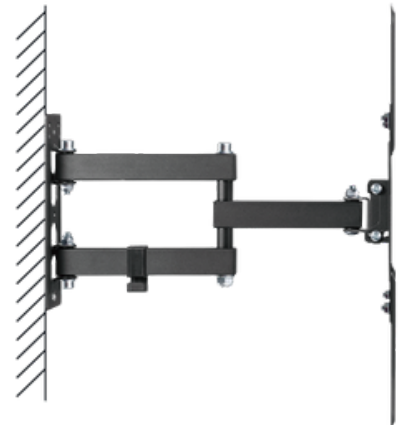
30 kg/66lb



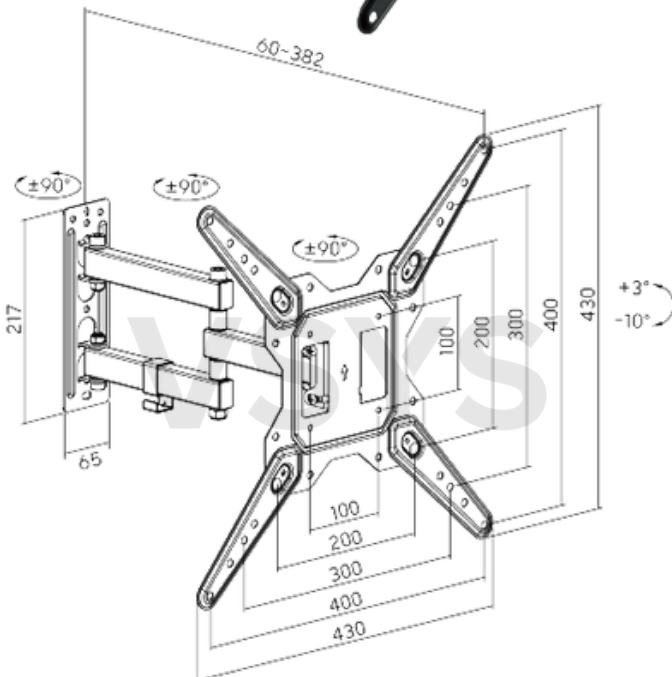
VESA Compatible
100x100,100x200,200x100,
200x200,300x200,400x200,
300x300,400x300,400x400



Min. 60mm(2.4")~Max. 382mm(15")



Dimensions (mm)

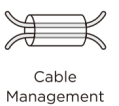
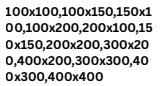
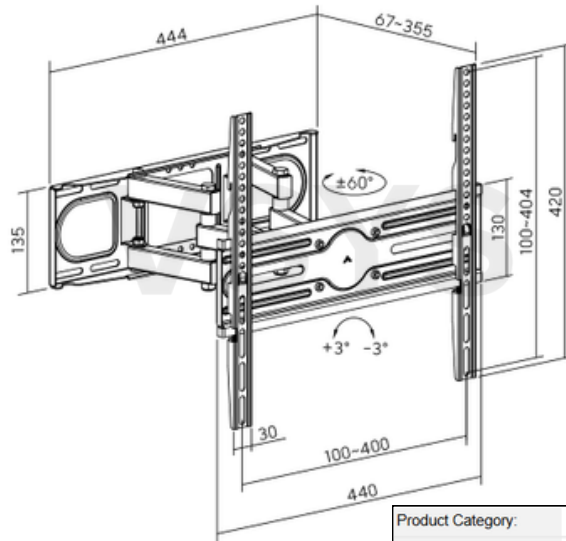


Product Category:	Full-Motion TV Wall Mount
Rank:	Economy
Material:	Steel
Metal Sheet Thickness:	VESA Panel THK=1.8mm cold-rolled sheet, Wall Plate THK=2.5mm pickling sheet, Extension Adapter Arm THK=1.2 mm cold-rolled sheet (VESA Panel THK=0.071" cold-rolled sheet, Wall Plate THK=0.098" pickling sheet, Extension Adapter Arm THK=0.047" cold-rolled sheet)
Pipe Size:	30x20x1.2mm Square Steel Tube (1.2"x0.79"x0.047" Square Steel Tube)
Surface Finish:	Powder Coating
Color:	Fine Texture Black
Color(accessory):	Fine Texture Black
Dimensions:	382x430x430mm (15"x16.9"x16.9")
Weight Capacity:	30kg (66lbs)
Strength Tested:	3 Times Approved
Profile:	60~382mm (2.4"~15")
Tilt Range:	+3°~-10°
Swivel Range:	+90°~-90°

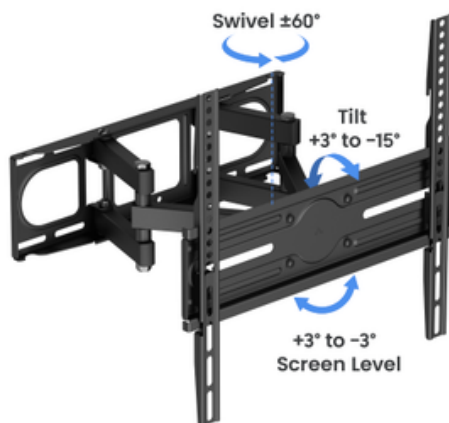
Super Economy Full Motion Wall Mount
For 32"-55" Displays



Dimensions (mm)



2 Height Settings
For Optimal Viewing



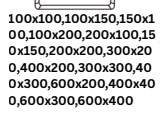
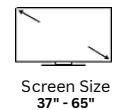
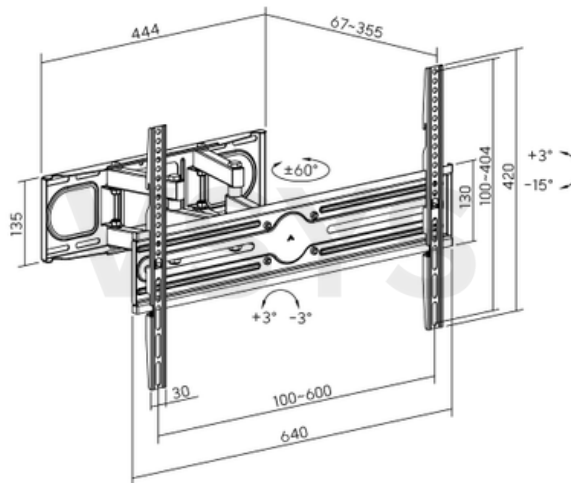
Product Category:	Full-Motion TV Wall Mount
Rank:	Economy
Material:	Steel, Plastic
Metal Sheet Thickness:	Bracket Arm THK=1.2mm cold-rolled sheet, VESA Panel THK=1.5mm cold-rolled sheet, Wall Plate THK=1.8mm cold-rolled sheet (Bracket Arm THK=0.047\" cold-rolled sheet, VESA Panel THK=0.059\" cold-rolled sheet, Wall Plate THK=0.071\" cold-rolled sheet)
Pipe Size:	30x20x1mm Square Steel Tube, 30x20x1.5mm Square Steel Tube (1.2\"x0.79\"x0.039\" Square Steel Tube, 1.2\"x0.79\"x0.059\" Square Steel Tube)
Surface Finish:	Powder Coating
Color:	Fine Texture Black
Dimensions:	355x444x420mm (14\"x17.5\"x16.5\")

Strength Tested:	3 Times Approved
Profile:	67~355mm (2.6\"~14\")
Tilt Range:	+3°~15°
Swivel Range:	+60°~60°
Screen Level:	+3°~3°
Screen Freely Tilting:	No
Installation:	Solid Wall, Double Stud(406mm)
Panel Type:	Detachable Panel

Super Economy Full Motion Wall Mount
For 37"-65" Displays

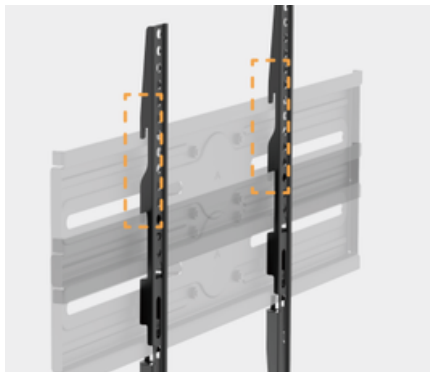


Dimensions (mm)

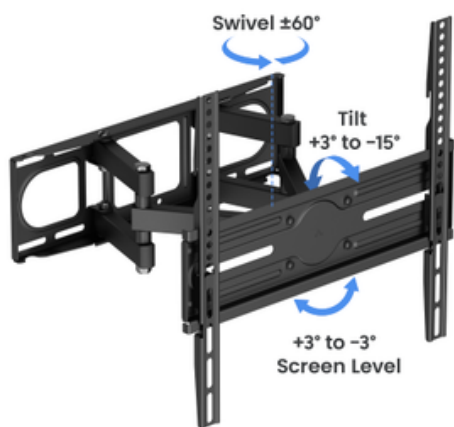


100x100,100x150,150x100,100x200,200x100,150x150,200x200,300x200,400x200,300x300,400x300,600x200,400x400,600x300,600x400

Product Category:	Full-Motion TV Wall Mount
Rank:	Economy
Material:	Steel,Plastic
Metal Sheet Thickness:	Bracket Arm THK=1.2mm cold-rolled sheet,VESA Panel THK=1.5mm cold-rolled sheet,Wall Plate THK=1.8mm cold-rolled sheet (Bracket Arm THK=0.047" cold-rolled sheet,VESA Panel THK=0.059" cold-rolled sheet,Wall Plate THK=0.071" cold-rolled sheet)
Pipe Size:	30x20x1mm Square Steel Tube,30x20x1.5mm Square Steel Tube (1.2"x0.79"x0.039" Square Steel Tube,1.2"x0.79"x0.059" Square Steel Tube)
Surface Finish:	Powder Coating
Color:	Fine Texture Black
Dimensions:	355x640x420mm (14"x25.2"x16.5")



2 Height Settings For Optimal Viewing

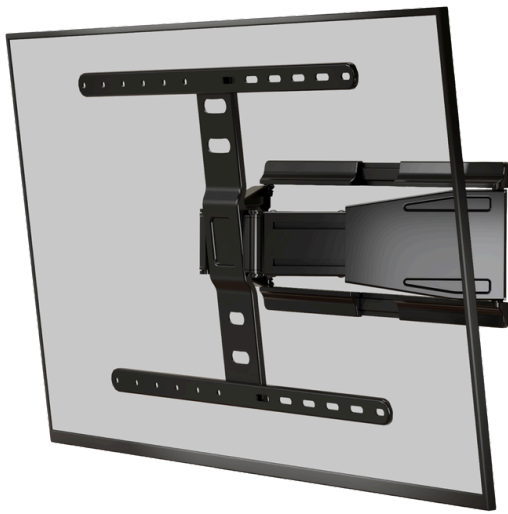


Strength Tested:	3 Times Approved
Profile:	67-355mm (2.6"-14")
Tilt Range:	+3°~-15°
Swivel Range:	+60°~-60°
Screen Level:	+3°~-3°
Screen Freely Tilting:	No
Installation:	Solid Wall,Double Stud(406mm)
Panel Type:	Detachable Panel

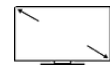
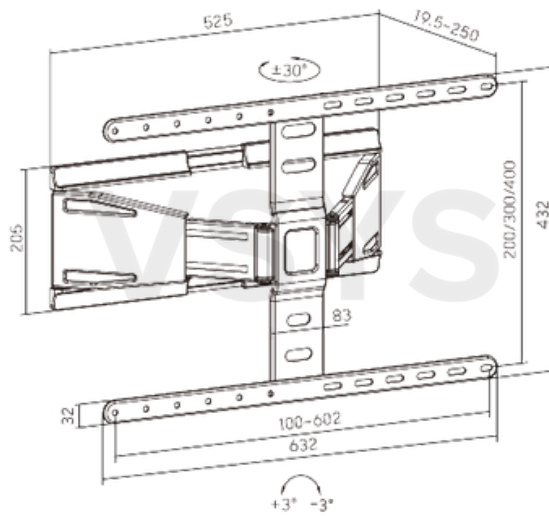
Ultra Slim Heavy Duty Full Motion Mount
For 43"-85" Displays



19.5mm (0.77")
Ultra-Slim Profile



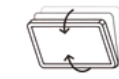
Dimensions (mm)



Screen Size
43" - 85"



50 kg/110lb



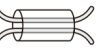
Tilt Range
+3°~-15°



Profile
19.5-250mm
(0.77"-9.8")



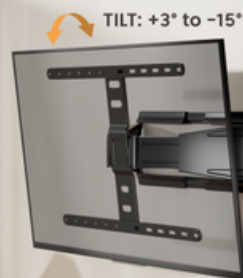
100x200,200x200,200x300,300x200,200x400,400x200,300x300,300x400,400x300,600x200,400x400,600x300,600x400



Cable Management



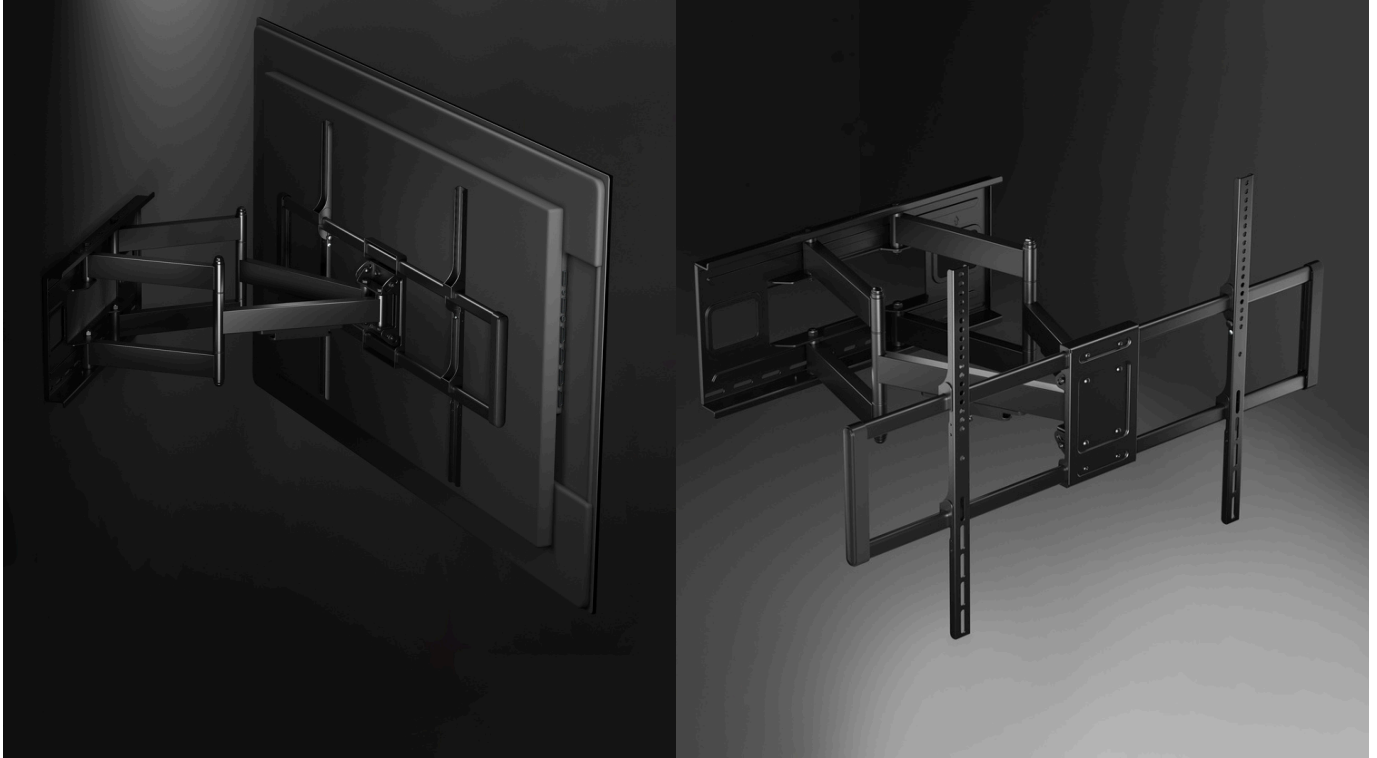
Smooth Movement with Ample Range of Motion
effortlessly adjust to the optimal position for a better viewing experience



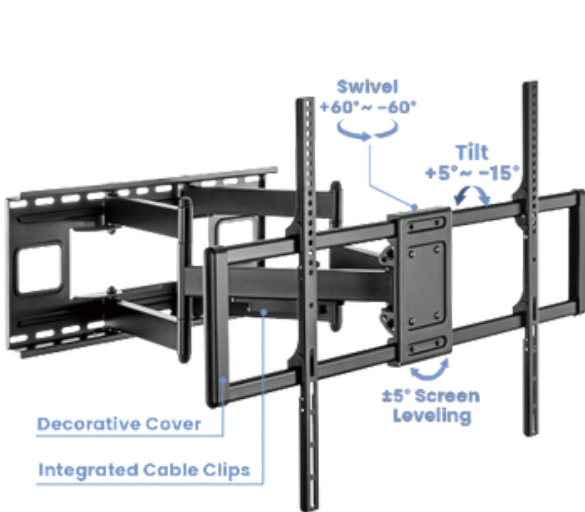
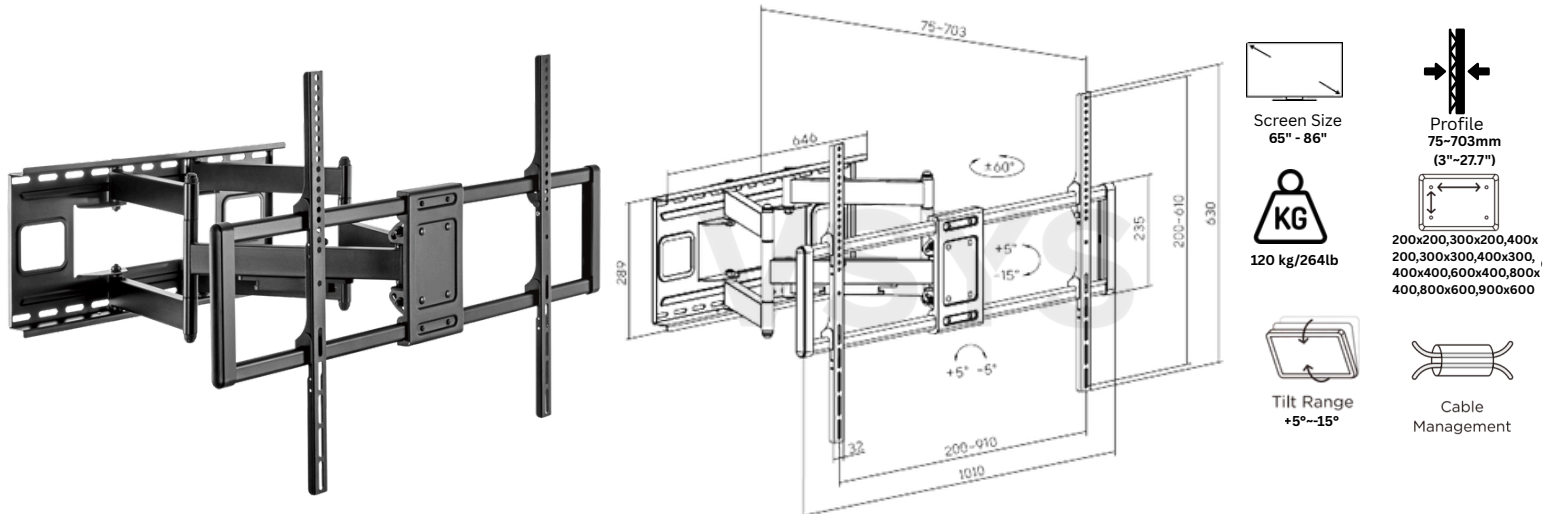
Product Category:	Full-Motion TV Wall Mount
Rank:	Standard
Material:	Steel/Plastic
Metal Sheet Thickness:	Bracket Arm THK=3.0mm pickling sheet,VESA Panel THK=2.5mm pickling sheet,Wall Plate THK=1.8mm cold-rolled sheet (Bracket Arm THK=0.12" pickling sheet,VESA Panel THK=0.098" pickling sheet,Wall Plate THK=0.071" cold-rolled sheet)
Surface Finish:	Powder Coating
Color:	Matte Black
Dimensions:	250x632x432mm (9.8"x24.9"x17")
Fit Screen Size:	43"-90"
Fit Curved TV:	Yes

Tilt Range:	+3°~-15°
Swivel Range:	+30°~-30°
Screen Level:	+3°~-3°
Screen Freely Tilting:	Yes
Installation:	Solid Wall,Double Stud(406mm/450mm)
Panel Type:	Detachable Panel

Heavy Duty Full Motion Mount
For 65"-86" Displays



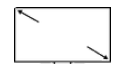
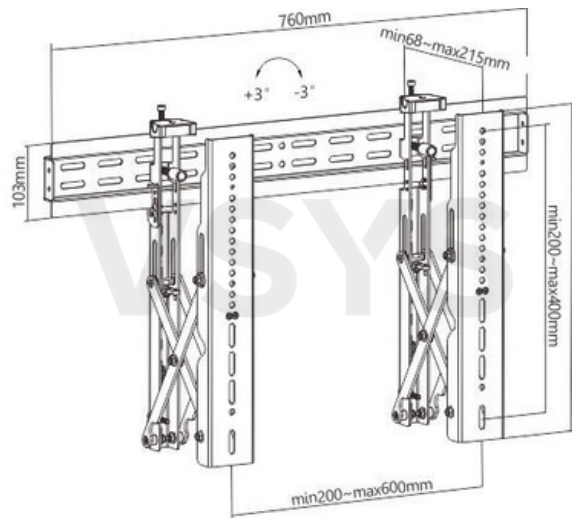
Dimensions (mm)



Product Category:	Full-Motion TV Wall Mount
Rank:	Standard
Material:	Steel
Metal Sheet Thickness:	Bracket Arm THK=2mm cold-rolled sheet,VESA Panel THK=2mm cold-rolled sheet,Wall Plate THK=3mm pickling sheet (Bracket Arm THK=0.079" cold-rolled sheet,VESA Panel THK=0.079" cold-rolled sheet,Wall Plate THK=0.12" pickling sheet)
Pipe Size:	50x25x1.5mm Square Steel Tube (2"x0.98"x0.059" Square Steel Tube)
Surface Finish:	Powder Coating
Color:	Fine Texture Black
Dimensions:	703x1010x630mm (27.7"x39.8"x24.8")

Strength Tested:	3 Times Approved
Profile:	75~703mm (3"-27.7")
Tilt Range:	+5°~-15°
Swivel Range:	+60°~-60°
Screen Level:	+5°~-5°
Screen Freely Tilting:	Yes
Installation:	Solid Wall,Double Stud(406mm/450mm/600mm)
Panel Type:	Detachable Panel

Push-Pull Video Wall Mount
For 37"-70" Displays



Screen Size
37" - 70"



Profile
68-215mm
(2.7"-8.5")



45kg (99lbs)



200x200,400x200,300x
300,400x400,600x400



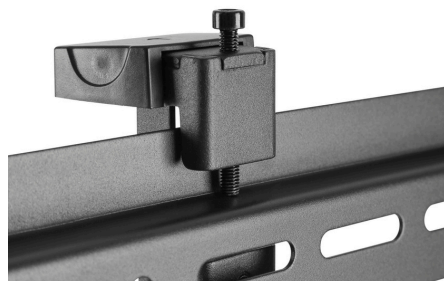
Screen Levelling
+3°~-3°



Cable
Management



Micro-Adjusters for Tool-Less Levelling

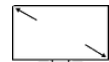
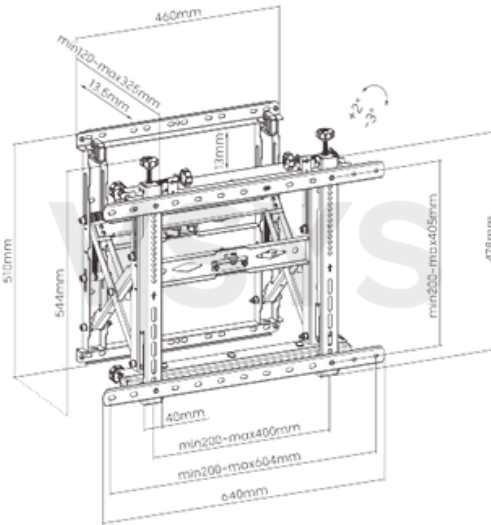


Product Category:	Video Wall Mount
Rank:	Standard
Material:	Steel
Metal Sheet Thickness:	Wall Plate THK=2mm cold-rolled sheet, Bracket Arm THK= 2.5mm cold-rolled sheet
Surface Finish:	Powder Coating
Color:	Fine Texture Black
Color(Accessory):	Fine Texture Black
Dimensions:	760x465x215mm (29.9"x18.3"x8.5")

Max. Mounting Hole:	600x400
Weight Capacity(Per Screen):	45kg (99lbs)
Screen Qty:	1
Strength Tested:	4 Times Approved
Profile:	68-215mm (2.7"-8.5")
Screen Level:	+3°~-3°
Installation:	Solid Wall

Push-Pull Video Wall Mount

For 45"-70" Displays



Screen Size
45" - 70"



Profile
120-325mm
(4.7"-12.8")



70kg (154lbs)



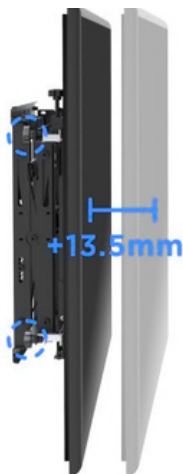
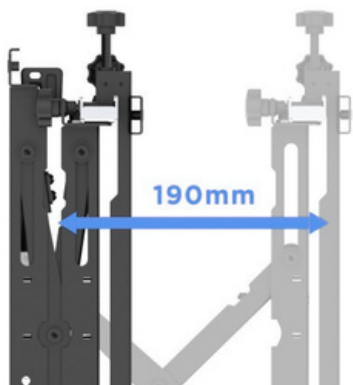
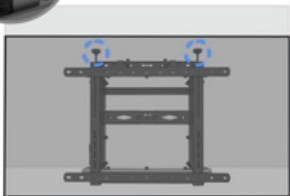
200x200,400x200,300x300,400x400,600x400



Tilt Range
+2°~3°



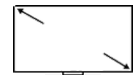
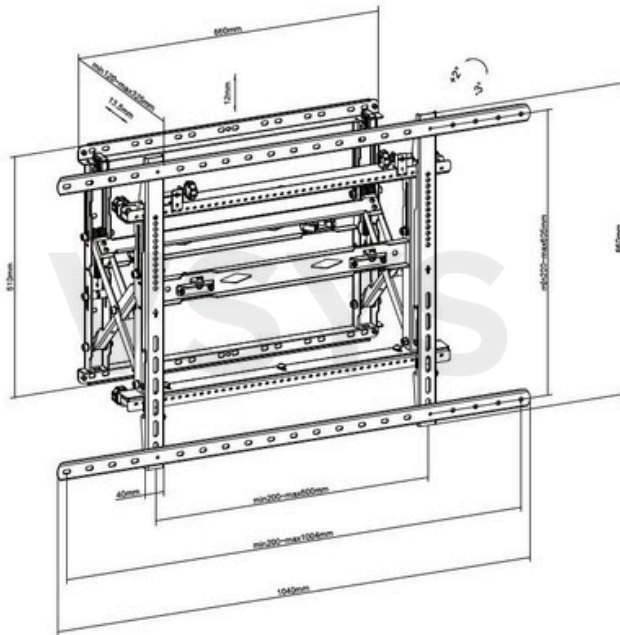
+13mm



Product Category:	Video Wall Mount
Rank:	Premium
Material:	Steel,Plastic
Metal Sheet Thickness:	Wall Plate THK=2.5mm pickling sheet,Bracket Arm THK=2mm cold-rolled sheet
Surface Finish:	Powder Coating
Color:	Fine Texture Black
Color(Accessory):	Fine Texture Black
Dimensions:	640x120-325x544mm (25.2"x4.7"-12.8"x21.4")
Fit Screen Size:	45"-70"

Screen Qty:	1
Strength Tested:	4 Times Approved
Profile:	120-325mm (4.7"-12.8")
Fine Adjustment(Depth/Height):	13.5mm/13mm (0.53"/0.51")
Tilt Range:	+2°~3°
Installation:	Solid Wall

Pop-Out Pushpull Display Wall Mount For 45"-110" Displays



Screen Size
45" - 110"



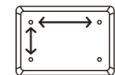
Tilt Range
+2°--3°



130 kg/186lb

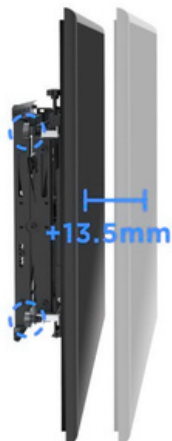
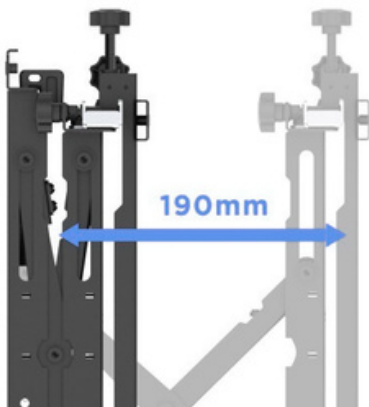


Profile
120-325mm
(4.7"-12.8")



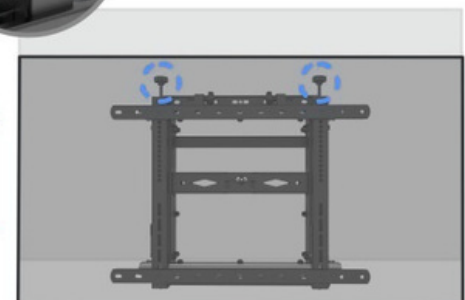
VESA Compatible
600x400, 600x600,
800x400, 800x600,
1000x600

Push to Open or Close
easy to pop-out for quick service access



+13mm ↑

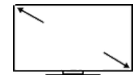
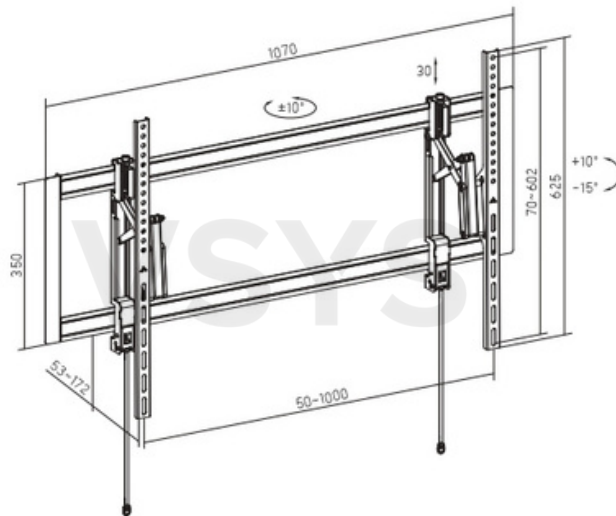
rotating two knobs in
the same direction



Heavy Duty Extend-Out TV Wall Mount
For 55"-105" Displays



Dimensions (mm)



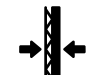
Screen Size
55" - 105"



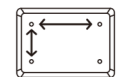
Tilt Range
+10°~-15°



80 kg/176lb



Profile
53-172mm
(2.1"-6.8")



VESA Compatible
200x200,300x200,400x200,
300x300,400x300,400x400
,600x400,800x400,600x60
0,800x600,900x600,1000x
600



Swivel Range
+10°~-10°



Micro Adjustment
For Perfect Levelling post installation



Extending Arms
For Easy Maintenance (172mm)

Smooth Extend-Out Structure

- Fully adjustable to have the optimal viewing angle.
- Extend out to have ample room for wiring and maintenance.

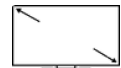
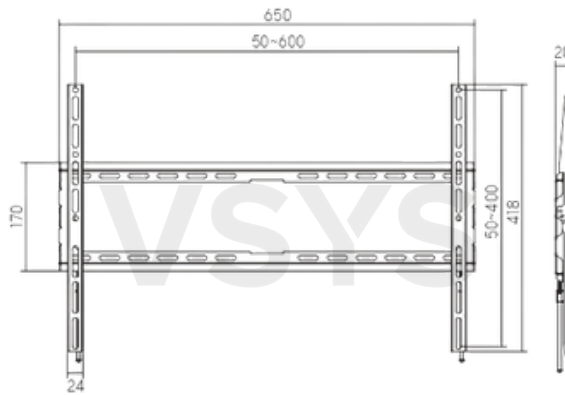
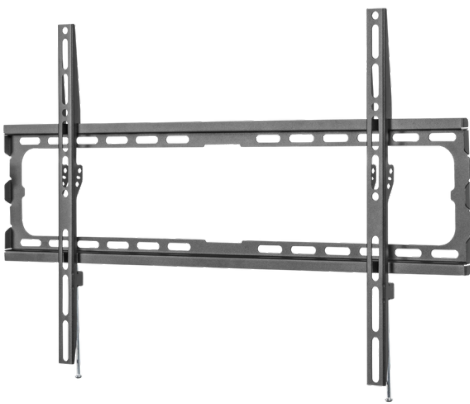


Sliding Design
For Perfect Positioning of TV

Economy Fixed TV Wall Mount
For 37"-86" Displays



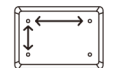
Dimensions (mm)



Screen Size
37" - 86"



45 kg/99lb



VESA Compatible
200x200,300x200,400x200,
300x300,400x300,400x400,
600x400

Ultra-slim design
seamlessly aligns the TV with the wall



Rail Screws to securely hold the TV in place.

Product Category:	Fixed TV Wall Mount
Rank:	Economy
Material:	Steel,Plastic
Metal Sheet Thickness:	Bracket Arm THK=1.4mm cold-rolled sheet,Wall Plate THK=1.4mm cold-rolled sheet (Bracket Arm THK=0.055" cold-rolled sheet,Wall Plate THK=0.055" cold-rolled sheet)
Surface Finish:	Powder Coating
Color:	Fine Texture Black
Color(accessory):	Fine Texture Black
Dimensions:	20x650x418mm (0.79"x25.6"x16.5")
Fit Screen Size:	37"-86"
Fit Curved TV:	No
Mounting Hole Pattern:	VESA & Universal
VESA Compatible:	200x200,300x200,400x200,300x300,400x300,400x400,600x400

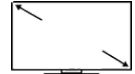
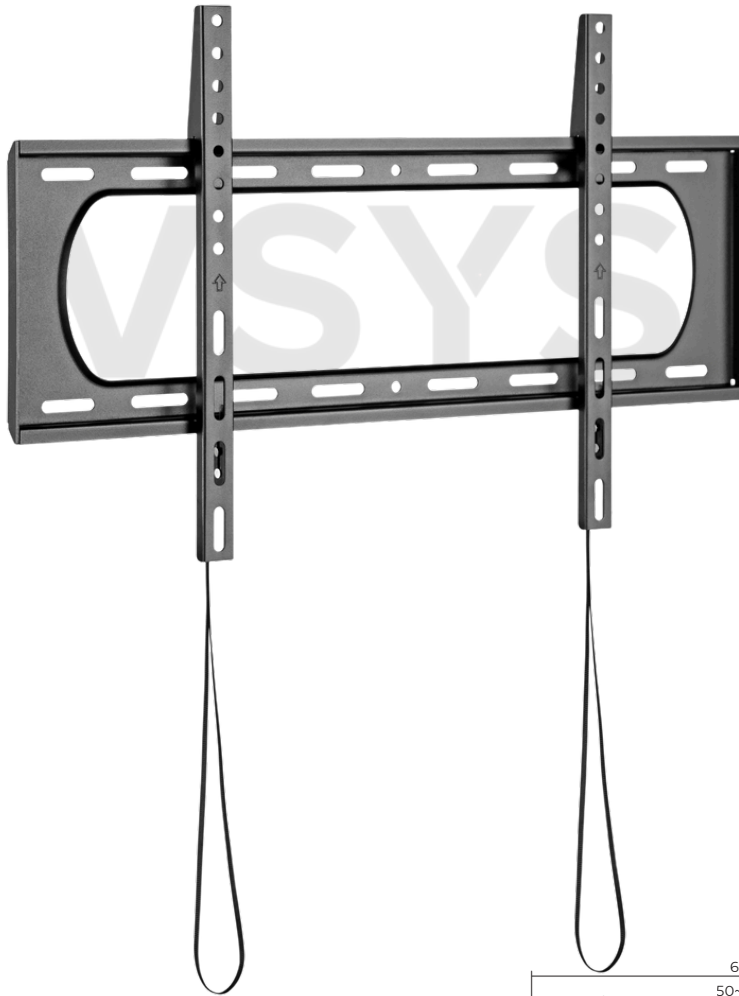
Profile:	20mm (0.79")
Installation:	Solid Wall,Double Stud(406mm/450mm/600mm)

VS01A-46F

VSYS

Heavy-Duty TV Wall Mount

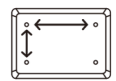
For 37"-86" Displays



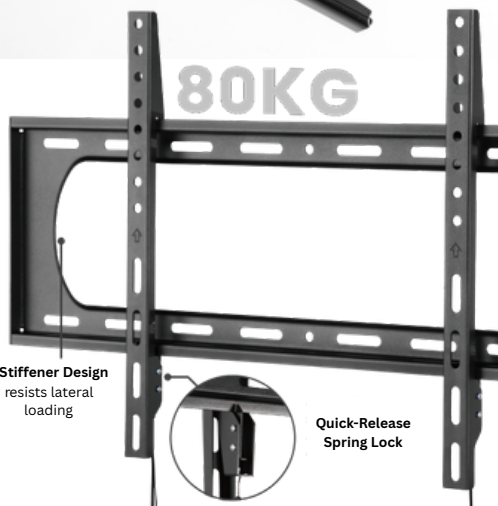
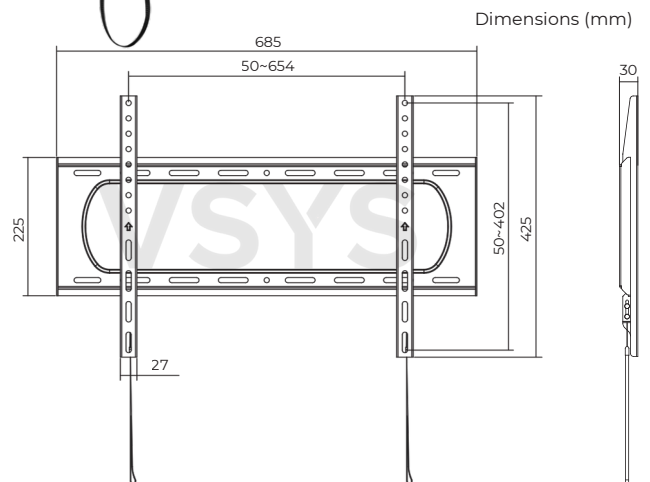
Screen Size
37" - 86"



80 kg/176lb



VESA Compatible
50x50,75x75,100x100,100x150,150x100,100x200,200x100,150x150,200x200,200x300,300x200,200x400,400x200,300x300,300x400,400x300,600x200,400x400,600x300,600x400



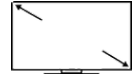
Stiffener Design
resists lateral
loading

Quick-Release
Spring Lock

Product Category:	Fixed TV Wall Mount
Rank:	Standard
Material:	Steel
Metal Sheet Thickness:	Bracket Arm THK=1.8mm cold-rolled sheet, Wall Plate THK=1.8mm cold-rolled sheet (Bracket Arm THK=0.071" cold-rolled sheet, Wall Plate THK=0.071" cold-rolled sheet)
Surface Finish:	Powder Coating
Color:	Fine Texture Black
Dimensions:	30x685x425mm (1.2"x27"x16.7")

Strength Tested:	4 Times Approved
Profile:	30mm (1.2")
Installation:	Solid Wall, Double Stud(406mm/450mm/600mm)

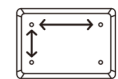
Heavy-Duty Tilt Wall Mount
For 37"-86" Displays



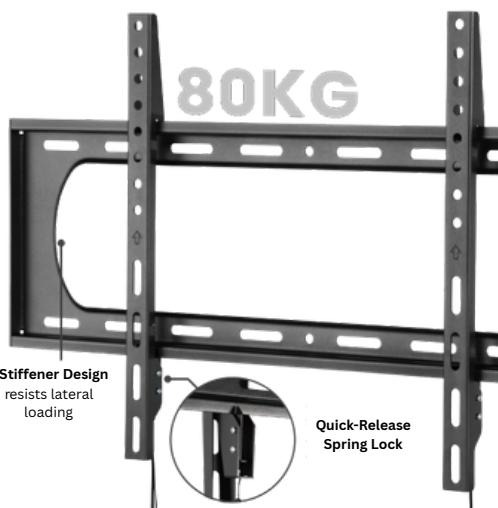
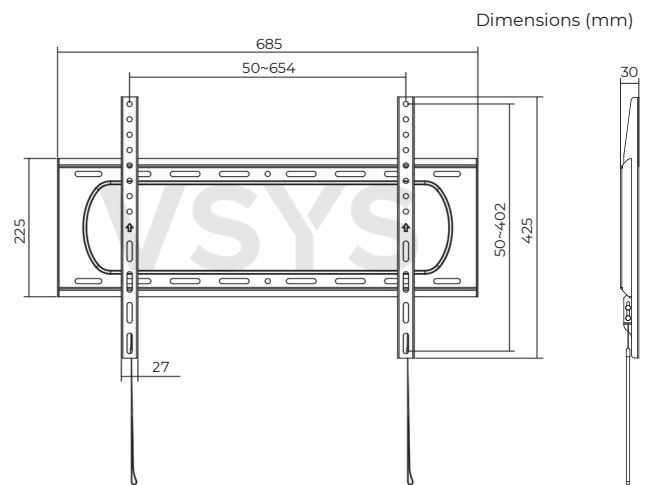
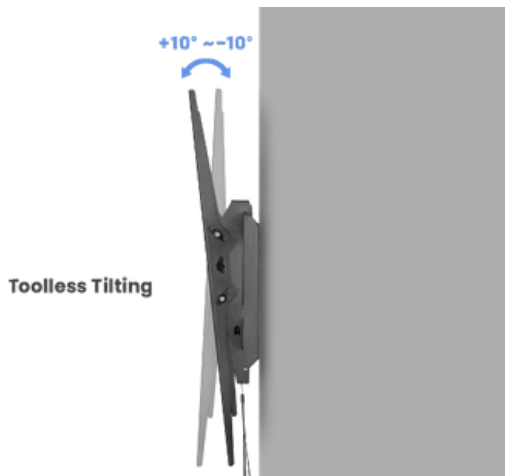
Screen Size
37" - 86"



80 kg/176lb

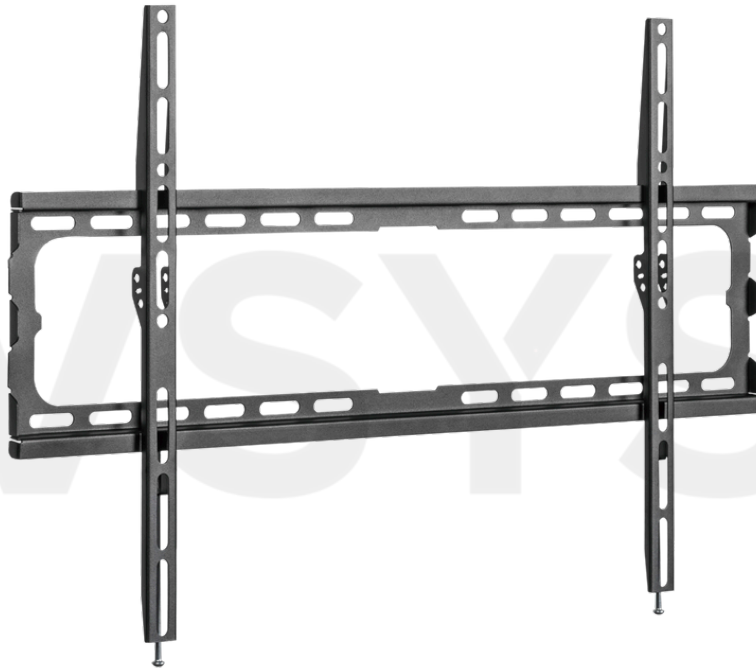


VESA Compatible
50x50,75x75,100x100,100x150,150x100,100x200,200x100,150x150,200x200,200x300,300x200,200x400,400x200,300x300,300x400,400x300,600x200,400x400,600x300,600x400

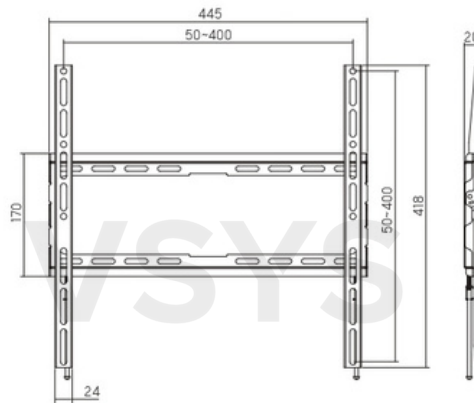
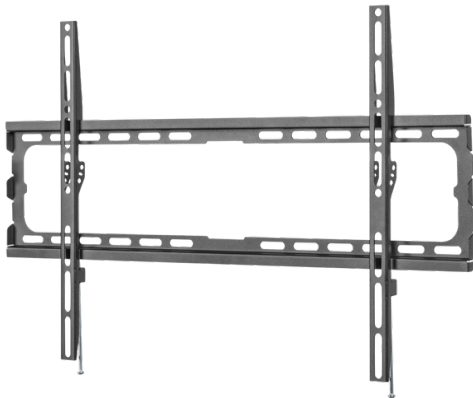


Product Category:	Tilt TV Wall Mount
Rank:	Standard
Material:	Steel
Metal Sheet Thickness:	Bracket Arm THK=1.8mm cold-rolled sheet, Wall Plate THK=1.8mm cold-rolled sheet (Bracket Arm THK=0.071" cold-rolled sheet, Wall Plate THK=0.071" cold-rolled sheet)
Surface Finish:	Powder Coating
Color:	Fine Texture Black
Dimensions:	60x685x425mm (2.4"x27"x16.7")
Strength Tested:	4 Times Approved
Profile:	60mm (2.4")
Tilt Range:	+10°~-10°
Screen Freely Tilting:	Yes
Installation:	Solid Wall, Double Stud(406mm/450mm/600mm)
Panel Type:	Detachable Panel

Economy Fixed TV Wall Mount
For 32"-75" Displays



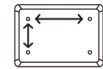
Dimensions (mm)



Screen Size
32" - 75"



45 kg/99lb



VESA Compatible
75x75,100x100,100x150,150x100,
100x200,200x100,150x150,200x
200,200x300,300x200,200x400,
400x200,300x300,300x400,400
x300,400x400

Ultra-slim design
seamlessly aligns the TV with the wall



Rail Screws to securely hold
the TV in place.

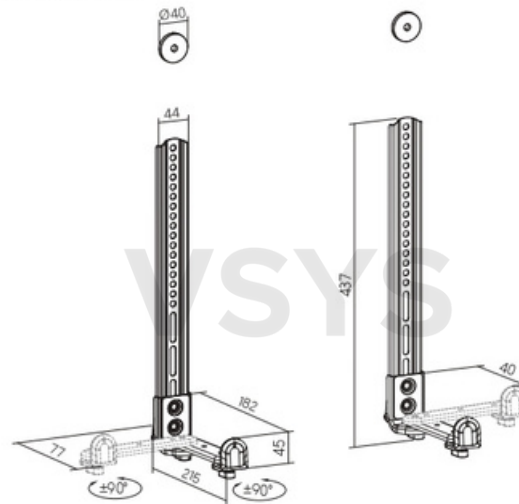
Product Category:	Fixed TV Wall Mount
Rank:	Economy
Material:	Steel,Plastic
Metal Sheet Thickness:	Bracket Arm THK=1.4mm cold-rolled sheet,Wall Plate THK=1.4mm cold-rolled sheet (Bracket Arm THK=0.055" cold-rolled sheet,Wall Plate THK=0.055" cold-rolled sheet)
Surface Finish:	Powder Coating
Color:	Fine Texture Black
Color(accessory):	Fine Texture Black
Dimensions:	20x440x418mm (0.79"x17.3"x16.5")
Fit Screen Size:	32"-75"
Fit Curved TV:	No
Mounting Hole Pattern:	VESA & Universal
VESA Compatible:	75x75, 100x100, 100x150, 150x100, 100x200, 200x100, 150x150, 200x200, 200x300, 300x200, 200x400, 400x200, 300x300, 300x400, 400x400
Profile:	20mm (0.79")
Installation:	Solid Wall, Double Stud(406mm/450mm/600mm)
Panel Type:	Detachable Panel
Wall Plate Type:	Fixed Wall Plate

Universal Soundbar Bracket

For Soundbars of 1.6"-7.2" Depth and 20"-45" Width



Dimensions (mm)



Mount below the TV



Mount above the TV



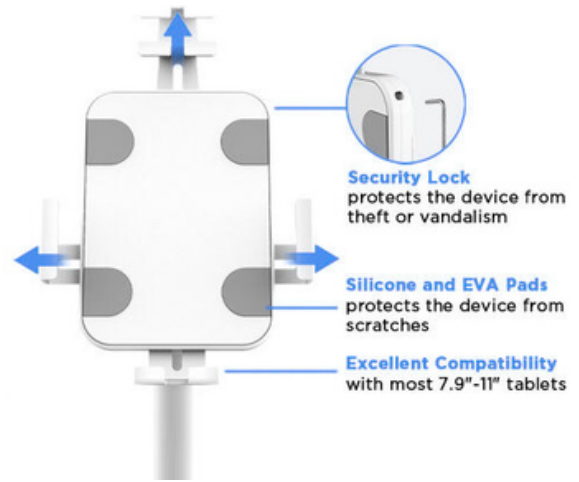
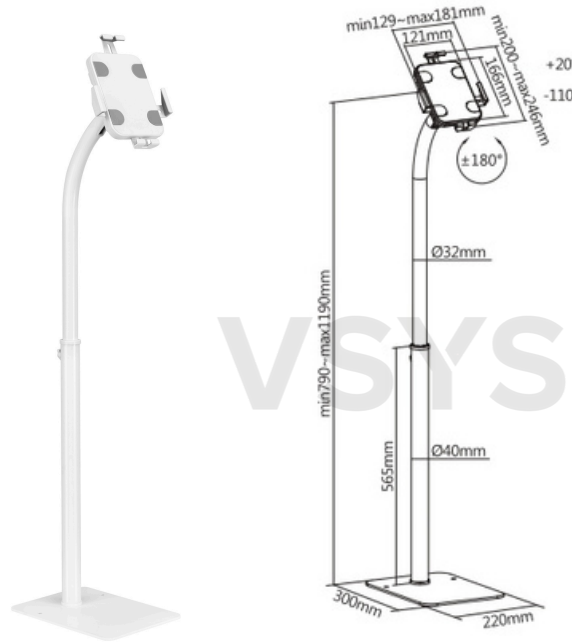
Adjustable Height

Allows Soundbar to be placed Above or Below the TV

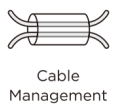
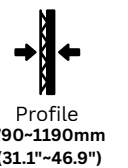
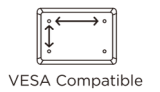
Product Category:	Soundbar Bracket
Rank:	Standard
Material:	Steel, Plastic
Surface Finish:	Powder Coating
Color:	Matte Black
Dimensions:	215x50x437mm (8.5"x2"x17.2")
Depth Range:	40-182mm (1.6"-7.2")
Weight Capacity:	15kg (33lbs)
Applicable Device:	Soundbar(Length:508~1143mm)

Universal Anti-theft Tablet Floor Stand

For most 7.9"-11" tablets



Angle Adjustment
for different viewing angle and better using experience

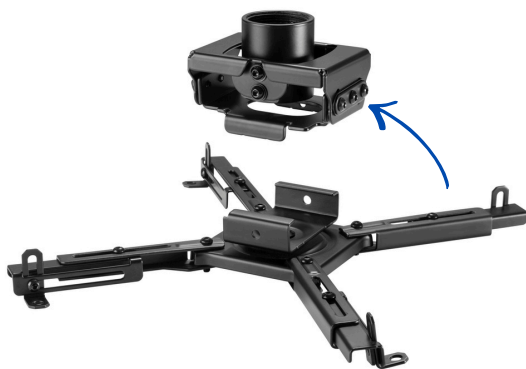
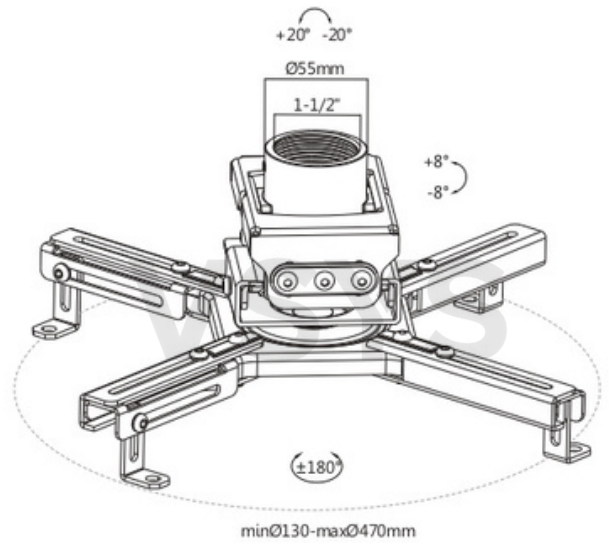


Universal Projector Interface Bracket

Compatible with North American Standard 1.5" NPT Pipe




Adjustable Mounting Arms
Fits various Projector sizes





Detachable Mounting Plate
For Quick Installation or Removal





Cable Management
Keeps cables concealed & Organized

- 

Swivel Range
+8° - -8°
- 

Tilt Range
+20° - -20°
- 

Rotation
360°
- 

Weight Capacity
35kg/77lbs
- 

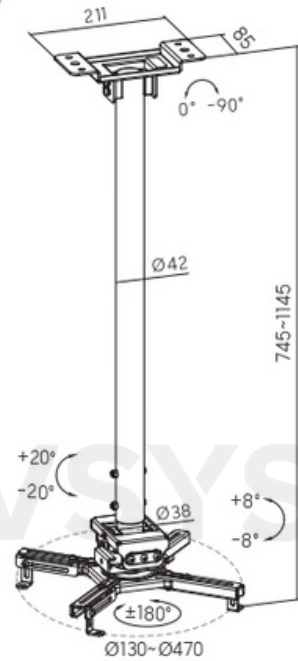
Mounting Range
130-470mm

Heavy Duty Projector Ceiling Mount

Compatible with Projectors Up to 35kg/77lbs




Dimensions (mm)





360° Rotating Joint
For Quick Installation or Removal





Cable Management
Keeps cables concealed & Organized

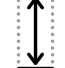
- 

Swivel Range
+8° - -8°
- 

Tilt Range
+20° - -20°
- 

Rotation
360°
- 

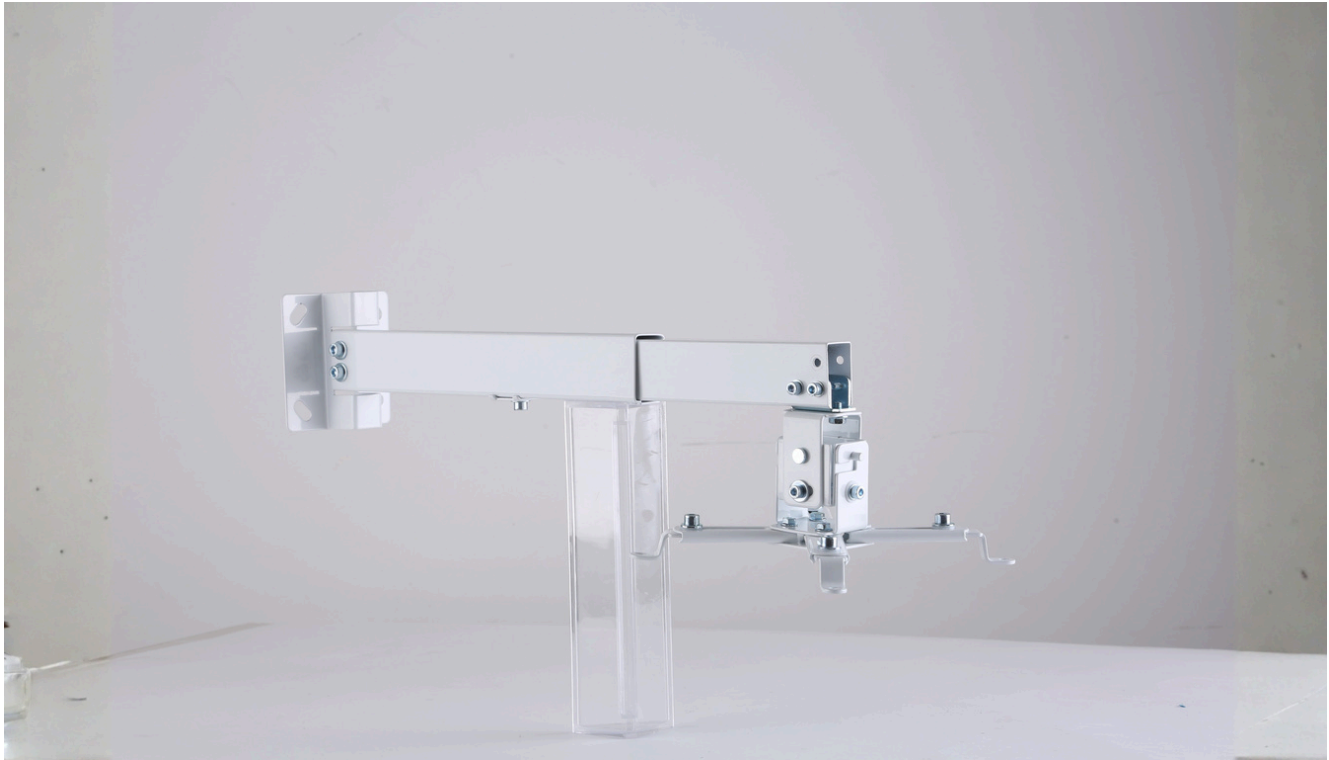
Weight Capacity
35kg/77lbs
- 

Mounting Range
130-470mm
- 

Extension Range
**735-1135mm
(28.9"-44.7")**

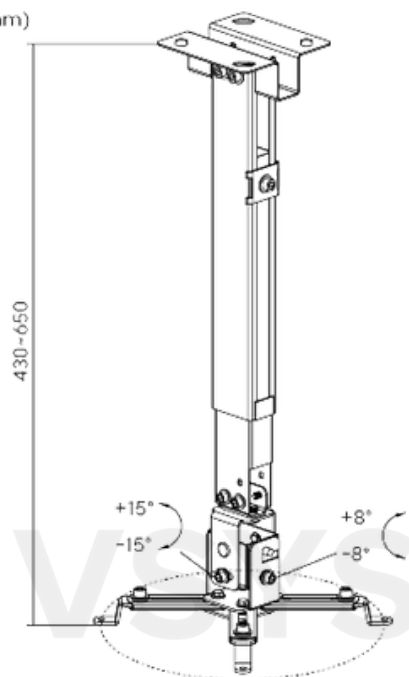
Heavy Duty Projector Ceiling Mount

Compatible with Projectors Up to 35kg/77lbs



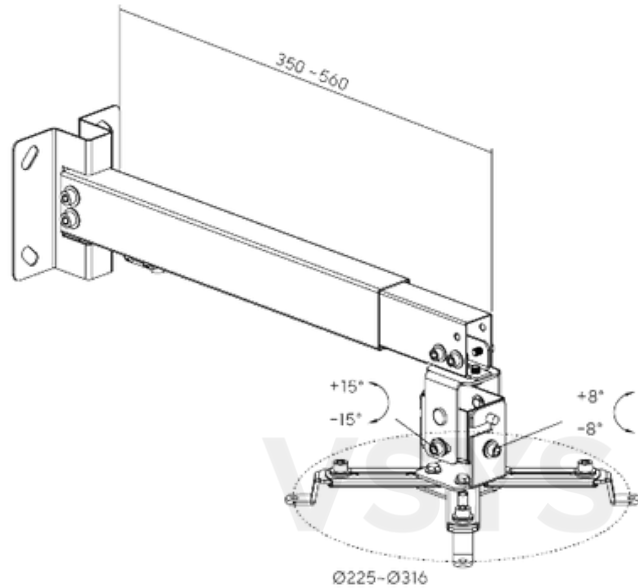
Ceiling Mount Orientation

Dimensions (mm)



Ø225 - Ø316

Dimensions (mm)



Ø225-Ø316

Product Category:	Projector Mount
Rank:	Economy
Material:	Steel
Surface Finish:	Powder Coating
Color:	Matte Black,Gloss Grey,Matte White
Dimensions:	237x203x650mm (9.3"x8"x25.6")
Weight Capacity:	20kg (44lbs)

Mounting Range:	225-316mm (8.9"-12.4")
Tilt Range:	+15°~-15°
Swivel Range:	+8°~-8°
Extension Range:	430-650mm (16.9"-25.6")
Installation:	Solid Wall,Ceiling Mounted
Cable Management:	Yes
Accessory Kit Package:	Normal/Ziplock Polybag



Wall Mount Orientation



Swivel Range
+8° - -8°



Tilt Range
+15°~-15°



Dimensions
237x203x650mm
(9.3"x8"x25.6")



Weight Capacity
20kg (44lbs)



Mounting Range
225-316mm
(8.9"-12.4")



Extension Range
430-650mm
(16.9"-25.6")