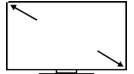
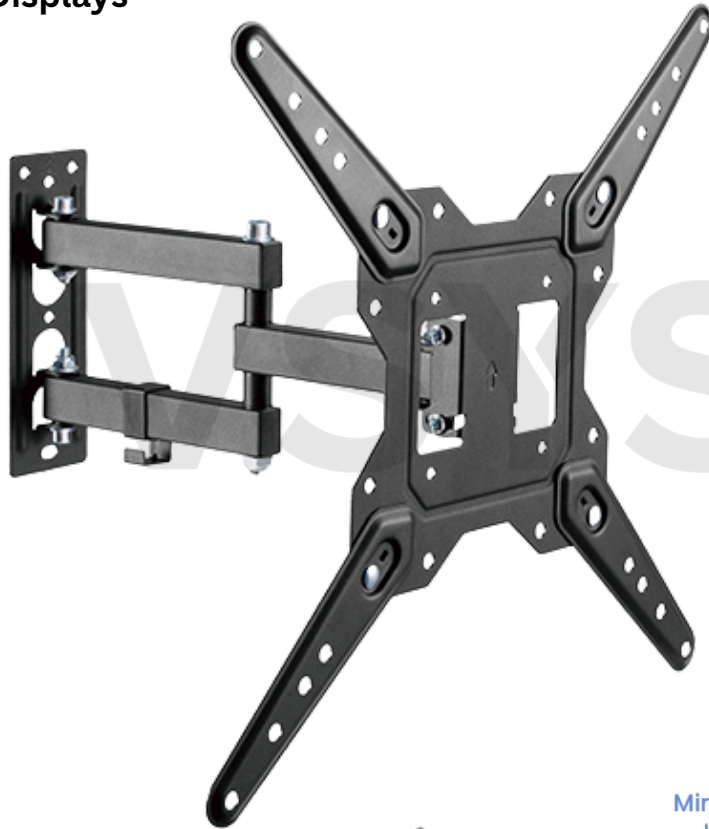


**VS02E-443**

**VSYS**

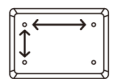
**Economy Full-Motion Wall Mount**  
For 23"-55" Displays



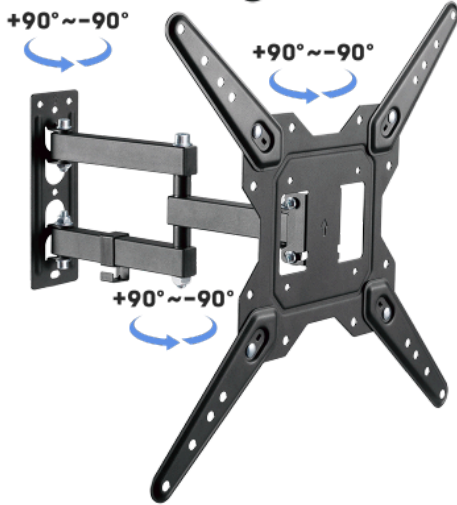
Screen Size  
23" - 55"



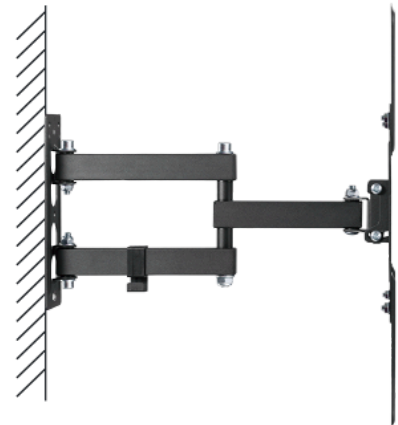
30 kg/66lb



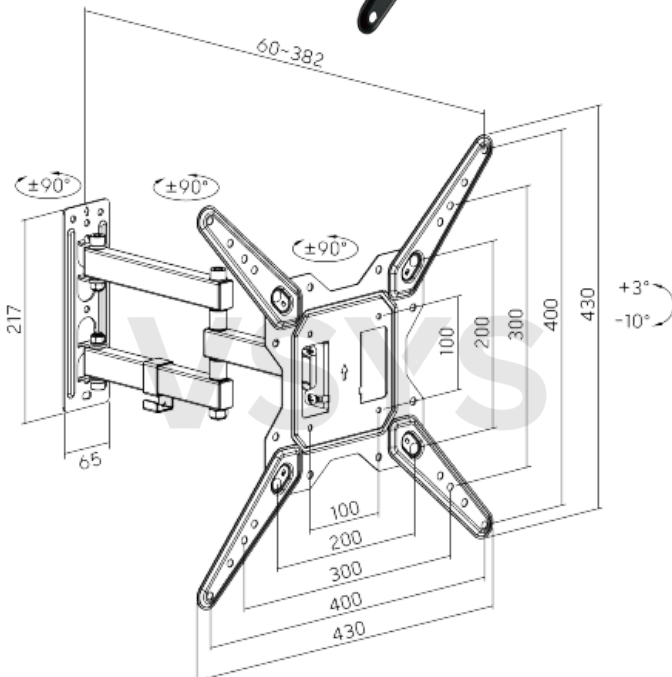
VESA Compatible  
100x100,100x200,200x100,  
200x200,300x200,400x200,  
300x300,400x300,400x400



Min. 60mm(2.4")~Max. 382mm(15")



Dimensions (mm)



|                        |  |
|------------------------|--|
| Product Category:      | Full-Motion TV Wall Mount  |
| Rank:                  | Economy  |
| Material:              | Steel  |
| Metal Sheet Thickness: | VESA Panel THK=1.8mm cold-rolled sheet, Wall Plate THK=2.5mm pickling sheet, Extension Adapter Arm THK=1.2mm cold-rolled sheet (VESA Panel THK=0.071" cold-rolled sheet, Wall Plate THK=0.098" pickling sheet, Extension Adapter Arm THK=0.047" cold-rolled sheet) |
| Pipe Size:             | 30x20x1.2mm Square Steel Tube (1.2"x0.79"x0.047" Square Steel Tube)  |
| Surface Finish:        | Powder Coating   |
| Color:                 | Fine Texture Black   |
| Color(accessory):      | Fine Texture Black   |
| Dimensions:            | 382x430x430mm (15"x16.9"x16.9")  |
| Weight Capacity:       | 30kg (66lbs)   |
| Strength Tested:       | 3 Times Approved   |
| Profile:               | 60~382mm (2.4"~15")  |
| Tilt Range:            | +3° ~ -10°   |
| Swivel Range:          | +90° ~ -90°  |