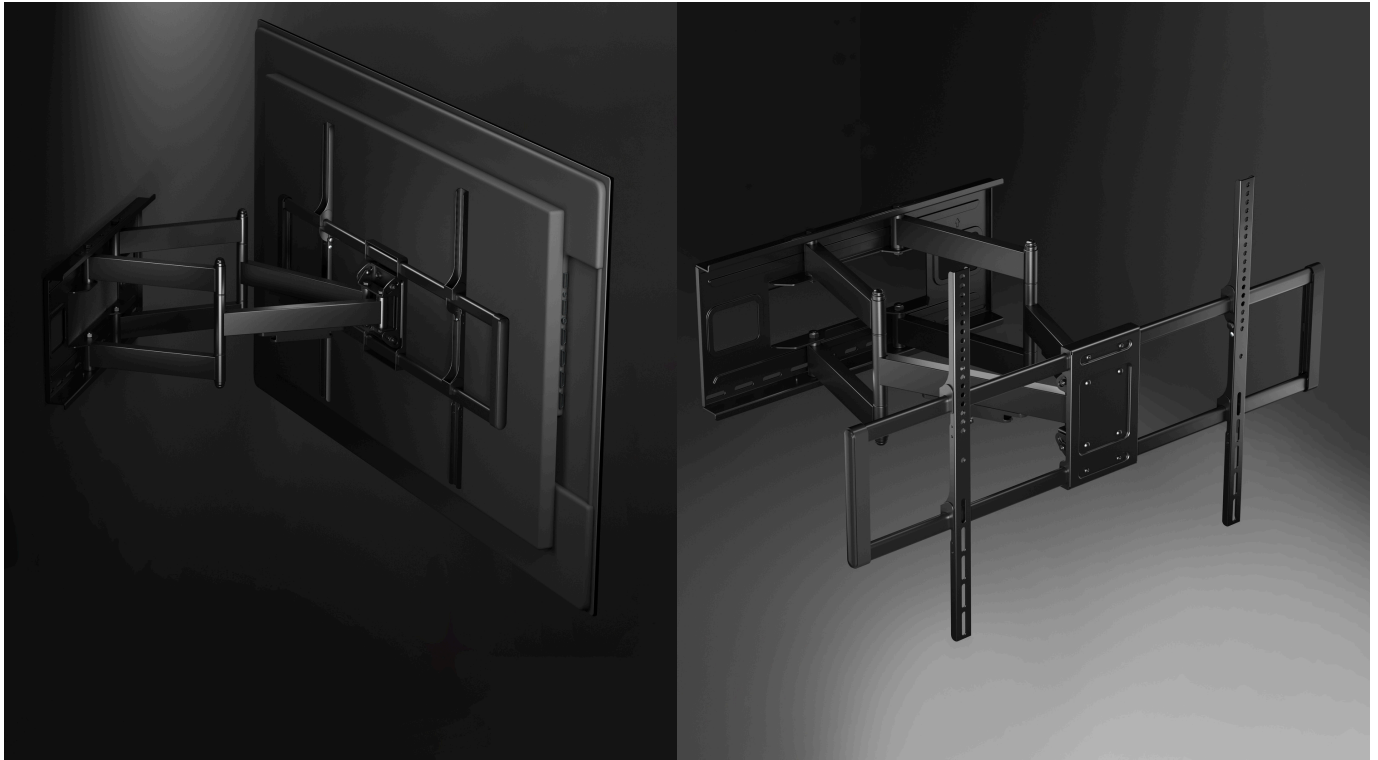
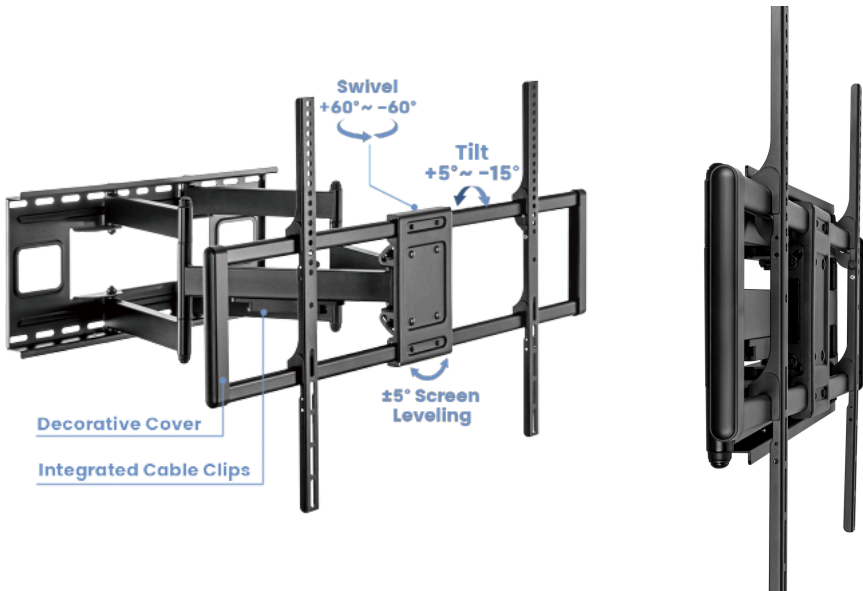
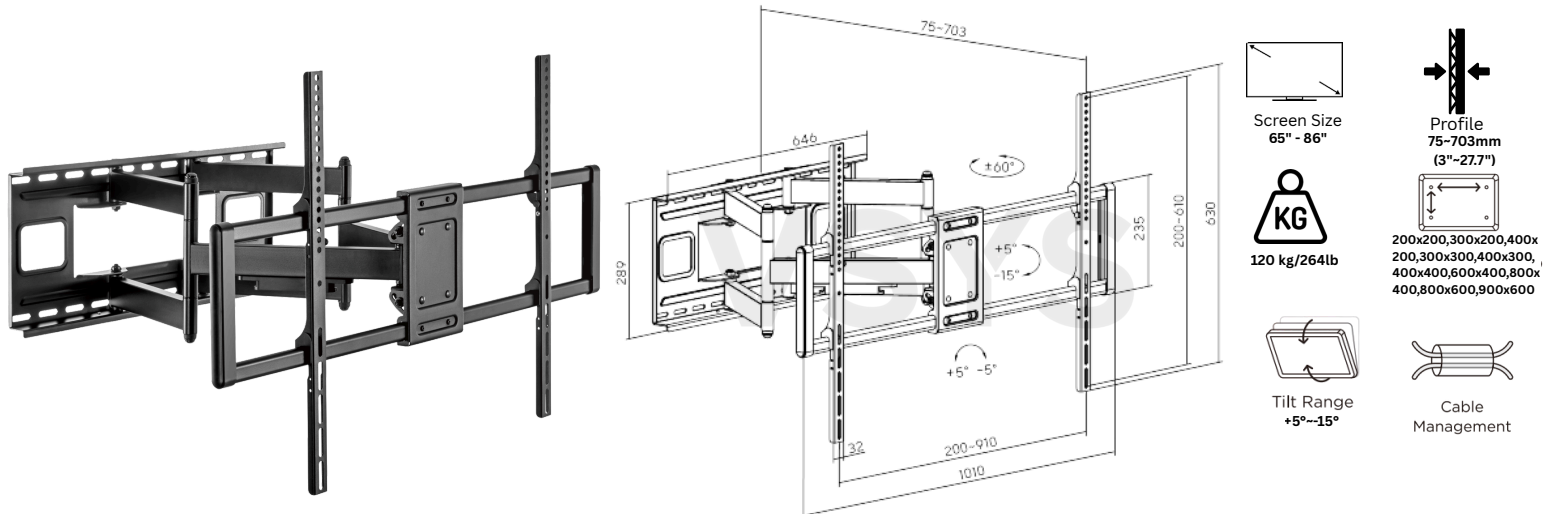


Heavy Duty Full Motion Mount
For 65"-86" Displays



Dimensions (mm)



Product Category:	Full-Motion TV Wall Mount
Rank:	Standard
Material:	Steel
Metal Sheet Thickness:	Bracket Arm THK=2mm cold-rolled sheet,VESA Panel THK=2mm cold-rolled sheet,Wall Plate THK=3mm pickling sheet (Bracket Arm THK=0.079" cold-rolled sheet,VESA Panel THK=0.079" cold-rolled sheet,Wall Plate THK=0.12" pickling sheet)
Pipe Size:	50x25x1.5mm Square Steel Tube (2"x0.98"x0.059" Square Steel Tube)
Surface Finish:	Powder Coating
Color:	Fine Texture Black
Dimensions:	703x1010x630mm (27.7"x39.8"x24.8")

Strength Tested:	3 Times Approved
Profile:	75~703mm (3"-27.7")
Tilt Range:	+5°~-15°
Swivel Range:	+60°~-60°
Screen Level:	+5°~-5°
Screen Freely Tilting:	Yes
Installation:	Solid Wall,Double Stud(406mm/450mm/600mm)
Panel Type:	Detachable Panel