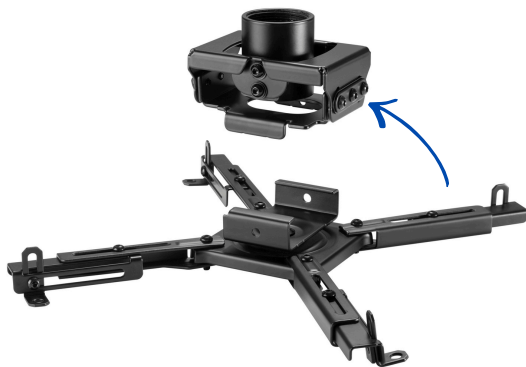
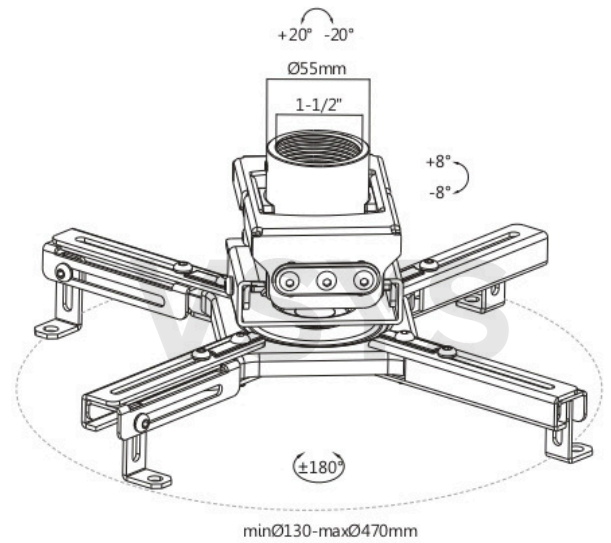


Universal Projector Interface Bracket

Compatible with North American Standard 1.5" NPT Pipe








Adjustable Mounting Arms
Fits various Projector sizes



Detachable Mounting Plate
For Quick Installation or Removal



Cable Management
Keeps cables concealed & Organized

- 
Swivel Range
+8° - -8°
- 
Tilt Range
+20° - -20°
- 
Rotation
360°
- 
Weight Capacity
35kg/77lbs
- 
Mounting Range
130-470mm