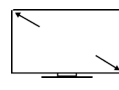
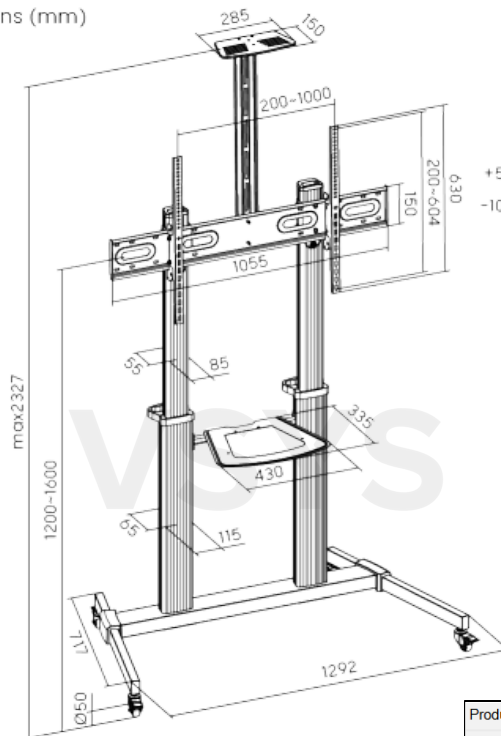
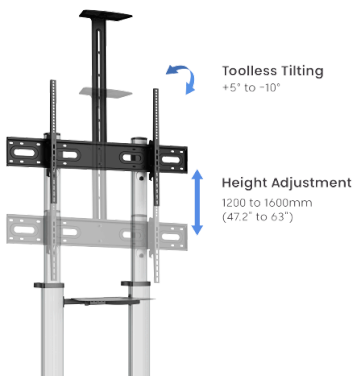


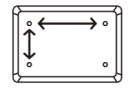
Aluminum TV Cart
For 60"-100" Displays



Dimensions (mm)



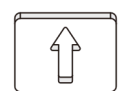
Screen Size
60" - 100"



VESA Compatible
400X600 600X400
800X400 800X600
1000X600



100kg
(220lbs)



Direction Indicator



Cable Management

Product Category:	TV Cart
Rank:	Standard
Material:	Aluminum, Steel, Plastic
Surface Finish:	Powder Coating
Color:	Fine Texture Grey & Matte Black
Dimensions:	1292x717x2327mm (50.9"x28.2"x91.6")
Column Size(Main Column/Extension Column):	Top Column 85x55x1.5x778, Bottom Column 115x65x1.5x778 (Top Column 85x55x1.5x778, Bottom Column 115x65x1.5x778)

Screen Quantity:	1
Tilt Range:	+5°~-10°
TV Height Adjustable:	Yes
Height Range:	1200~1600mm (47.2"~63")
Shelf Weight Capacity:	5kg (11lbs)
Shelf Height Adjustable:	Yes
Camera Rack Weight Capacity:	5kg (11lbs)